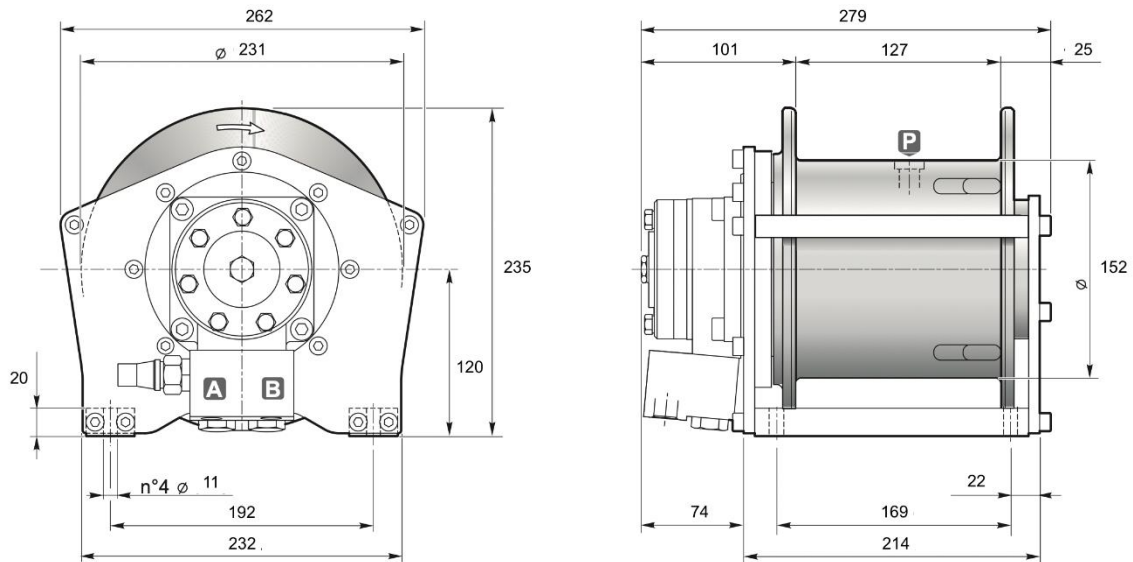


## Hydraulic hoisting winches

Serie A / Model A11



### DIMENSIONS (mm)



### TECHNICAL DATA

Rope layer		1	2	3	4	5
Line pull	daN	489	445	423	396	374
Rope speed with 29l/mn	m / mn	50	53.6	57.6	61	65.2
Rope capacity smooth drum	m					

Hoisting pressure	max/min pump flow	Motor displacement	Gear ratio	Advised rope diameter	Weight	Connections A&B
bar	l/mn	cm <sup>3</sup>	1 :	mm	kg	
172		50	5.23		34.02	9/16" 18 UNF

### OPTIONS

- CE standard kit