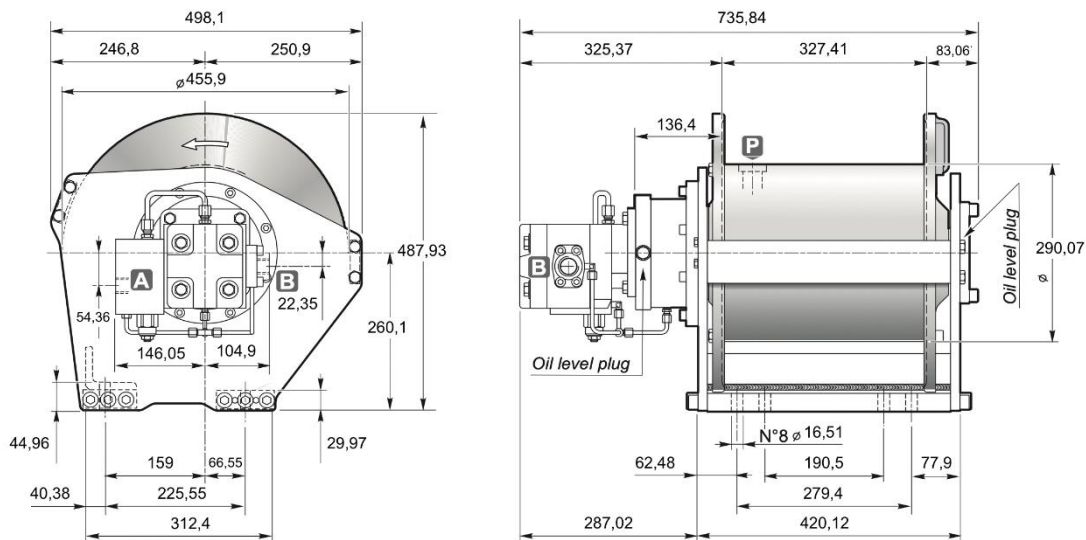


# Hydraulic hoisting winches

Serie A / Model A120-4



## DIMENSIONS (mm)



## TECHNICAL DATA

Rope layer		1	2	3	4	5	6
Line pull	daN	5337	4879	4492	4163	3878	3629
Rope speed with 170l/mn	m / mn	34.7	38.1	41.1	44.5	47.8	51.2
Rope speed with 246l/min	m/min	50.2	54.8	59.7	64.3	69.1	73.7

Hoisting pressure	max/min pump flow	Motor displacement	Gear ratio	Advised rope diameter	Weight	Connections A&B
bar	l/mn	cm3	1 :	mm	kg	
177		65	64.1		235.86	1" 5/16-12 THD SAE – 16 ORB

## OPTIONS

- CE standard kit