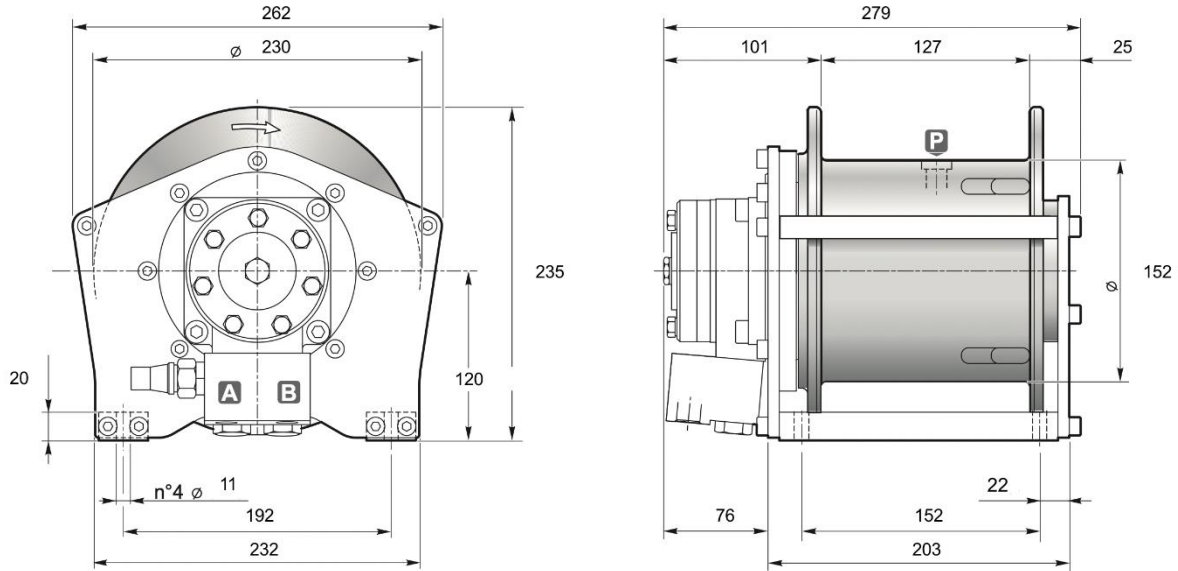


# Hydraulic hoisting winches

Serie A / Model A18



## DIMENSIONS (mm)



## TECHNICAL DATA

Rope layer		1	2	3	4	5
Line pull	<i>daN</i>	800	734	689	645	600
Rope speed with 29l/mn	<i>m / mn</i>	31	34	36	38.1	40.2
Rope capacity smooth drum	<i>m</i>					

Hoisting pressure	max/min pump flow	Motor displacement	Gear ratio	Advised rope diameter	Weight	Connections A&B
<i>bar</i>	<i>l/mn</i>	<i>cm3</i>	<i>1 :</i>	<i>mm</i>	<i>kg</i>	
158		78	5.23		34	9/16" 18 UNF

## OPTIONS

- CE standard kit