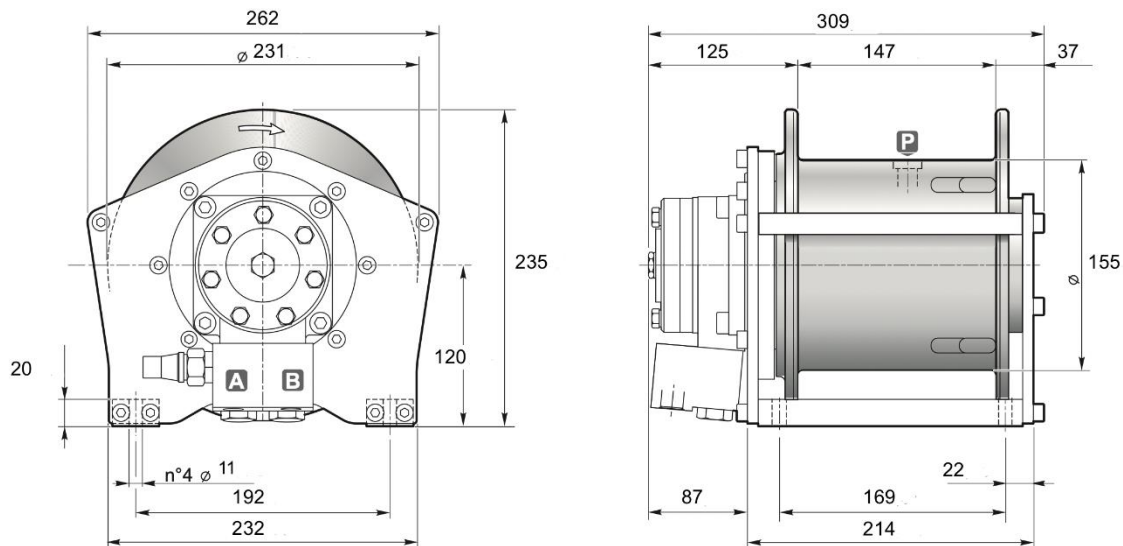


Hydraulic hoisting winches

Serie A / Model A24



DIMENSIONS (mm)



TECHNICAL DATA

Rope layer		1	2	3	4
Line pull	daN	1068	974	890	827
Rope speed with 29l/mn	m / mn	25	27.4	30	32.3
Rope capacity smooth drum	m				

Hoisting pressure	max/min pump flow	Motor displacement	Gear ratio	Advised rope diameter	Weight	Connections A&B
bar	l/mn	cm ³	1 :	mm	kg	
168		99	5.23		34.02	9/16" 18 UNF

OPTIONS

- CE standard kit