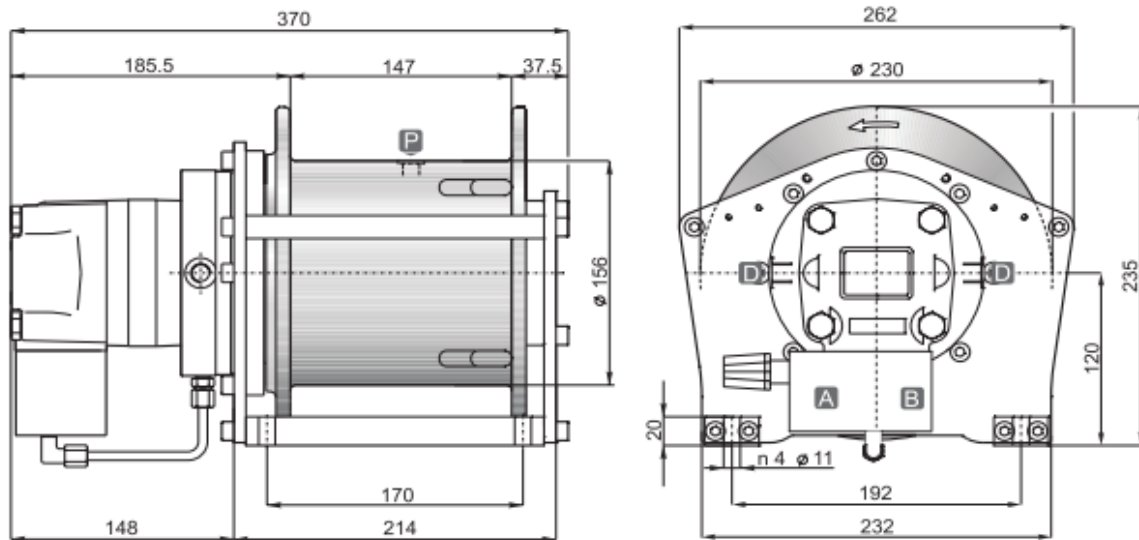


## Hydraulic hoisting winches

Serie A / Model A30



### DIMENSIONS (mm)



### TECHNICAL DATA

Rope layer		1	2	3	4
Line pull	<i>daN</i>	1360	1200	1100	1000
Rope speed with 57l/mn	<i>m / mn</i>	42	46	50	54
Rope capacity smooth drum	<i>m</i>	9	19	30	41

Hoisting pressure	max/min pump flow	Motor displacement	Gear ratio	Advised rope diameter	Weight	Connections A&B
<i>bar</i>	<i>l/mn</i>	<i>cm3</i>	1 :	<i>mm</i>	<i>kg</i>	
155	76/20	125	5.23	8	36	7/8" 14 UNF

### OPTIONS

- CE standard kit