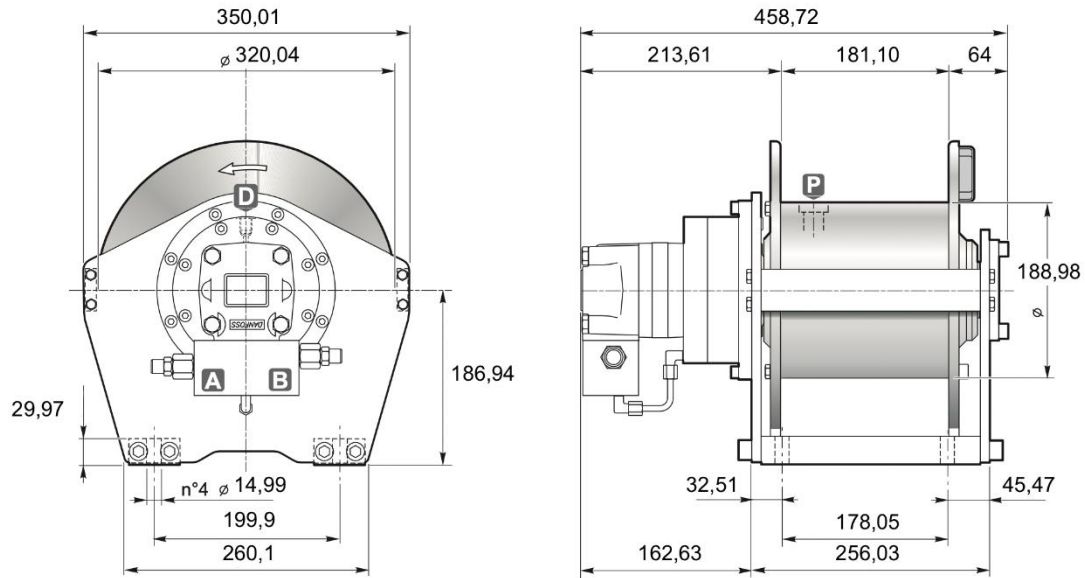


Hydraulic hoisting winches

Serie A / Model A55



DIMENSIONS (mm)



TECHNICAL DATA

Rope layer		1	2	3	4
Line pull	daN	2447	2135	1912	1713
Rope speed with 29l/mn	m / mn	18.5	21	23.7	26.2
Rope capacity smooth drum	m				

Hoisting pressure	max/min pump flow	Motor displacement	Gear ratio	Advised rope diameter	Weight	Connections A&B
bar	l/mn	cm3	1 :	mm	kg	
175		99	12.28		81.64	7/8" 14 UNF

OPTIONS

- CE standard kit