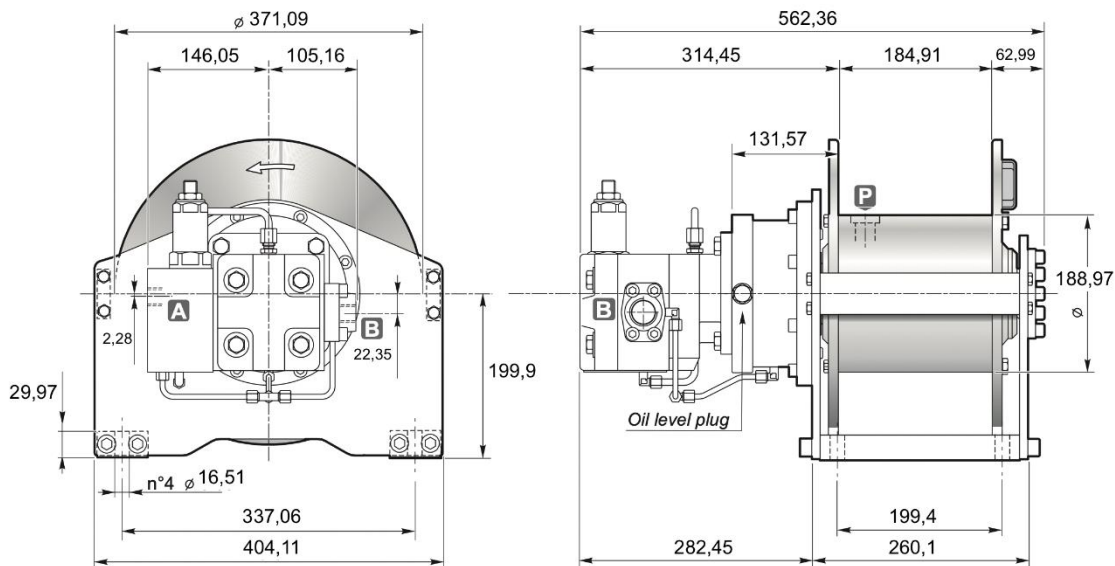


# Hydraulic hoisting winches

Serie A / Model A62-3



## DIMENSIONS (mm)



## TECHNICAL DATA

Rope layer		1	2	3	4	5	6	7	8
Line pull	daN	2669	2402	2188	2006	1850	1717	1601	1503
Rope speed with 79l/mn	m / mn	27.4	30.5	33.5	36.6	40	43	46	49
Rope capacity smooth drum	m								

Hoisting pressure	max/min pump flow	Motor displacement	Gear ratio	Advised rope diameter	Weight	Connections A&B
bar	l/mn	cm3	1 :	mm	kg	
168		57	26.5		90.71	1" S/16-12 THD SAE - 16 ORB

## OPTIONS

- CE standard kit