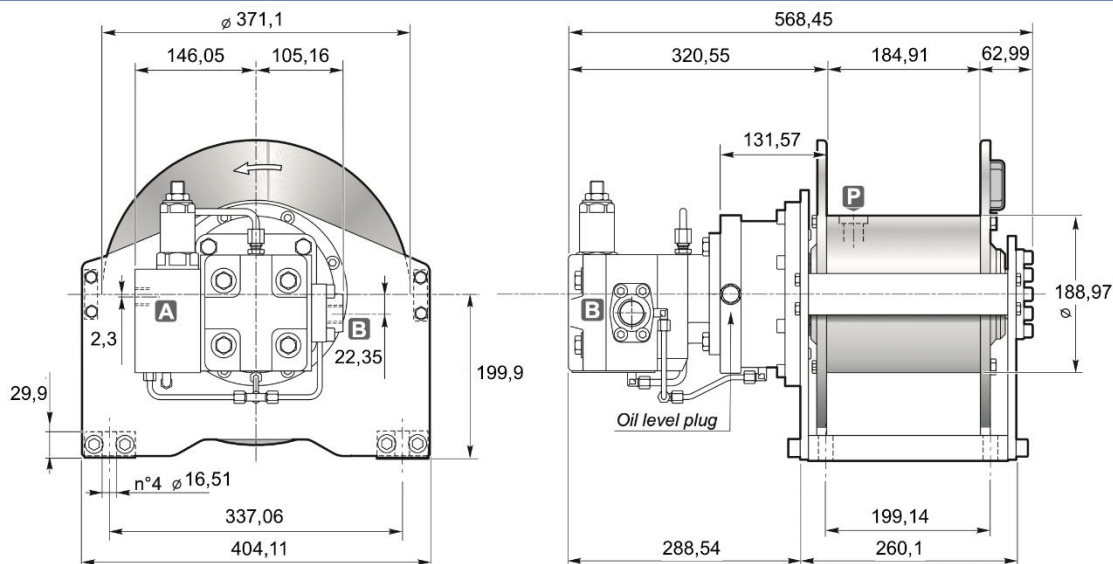


Hydraulic hoisting winches

Serie A / Model A62-4



DIMENSIONS (mm)



TECHNICAL DATA

Rope layer		1	2	3	4	5	6	7	8
Line pull	daN	2669	2402	2188	2006	1850	1717	1601	1503
Rope speed with 102l/mn	m / mn	30.5	34.1	37.5	40.8	44.1	47.5	50.9	54.5
Rope speed with 227 l/min	m/min	67.9	75.6	83.2	90.5	98.1	105.5	113.1	120.7

Hoisting pressure	max/min pump flow	Motor displacement	Gear ratio	Advised rope diameter	Weight	Connections A&B
bar	l/mn	cm3	1 :	mm	kg	
144		65	26.5		90.71	1" S/16-12 THD SAE – 16 ORB

OPTIONS

- CE standard kit