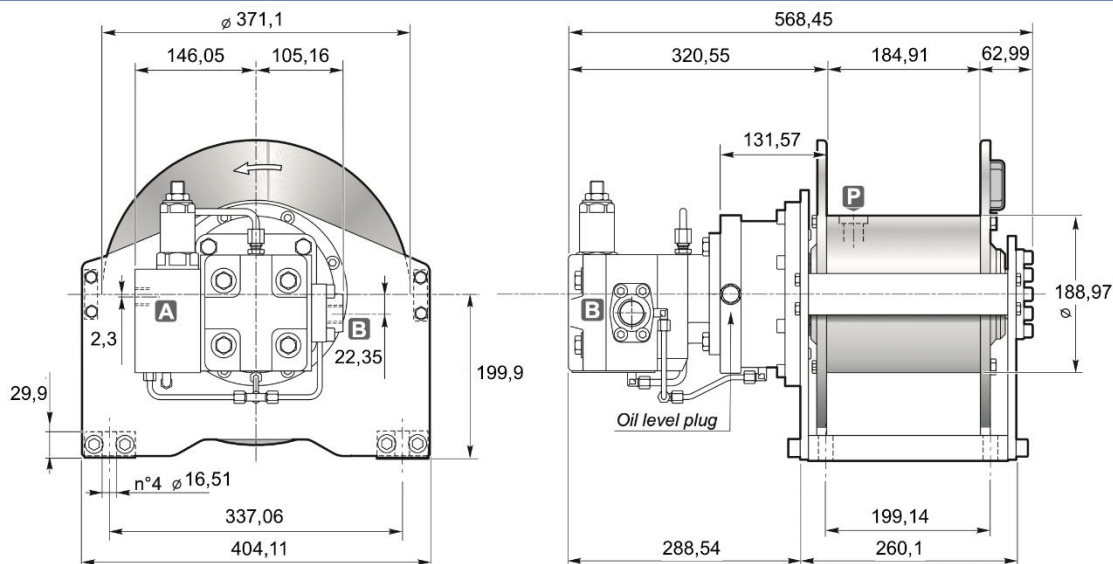


Hydraulic hoisting winches

Serie A / Model A81-5



DIMENSIONS (mm)



TECHNICAL DATA

Rope layer		1	2	3	4	5	6
Line pull	daN	3558	3202	2891	2668	2446	2268
Rope speed with 170l/mn	m / mn	59.4	65.8	72.5	79.2	85.6	92.3
Rope speed with 246l/min	m/min	85.9	95.4	104.8	114.6	124.05	133.5

Hoisting pressure	max/min pump flow	Motor displacement	Gear ratio	Advised rope diameter	Weight	Connections A&B
bar	l/mn	cm ³	1 :	mm	kg	
206		84	21		149.68	1" S/16-12 THD SAE – 16 ORB

OPTIONS

- CE standard kit