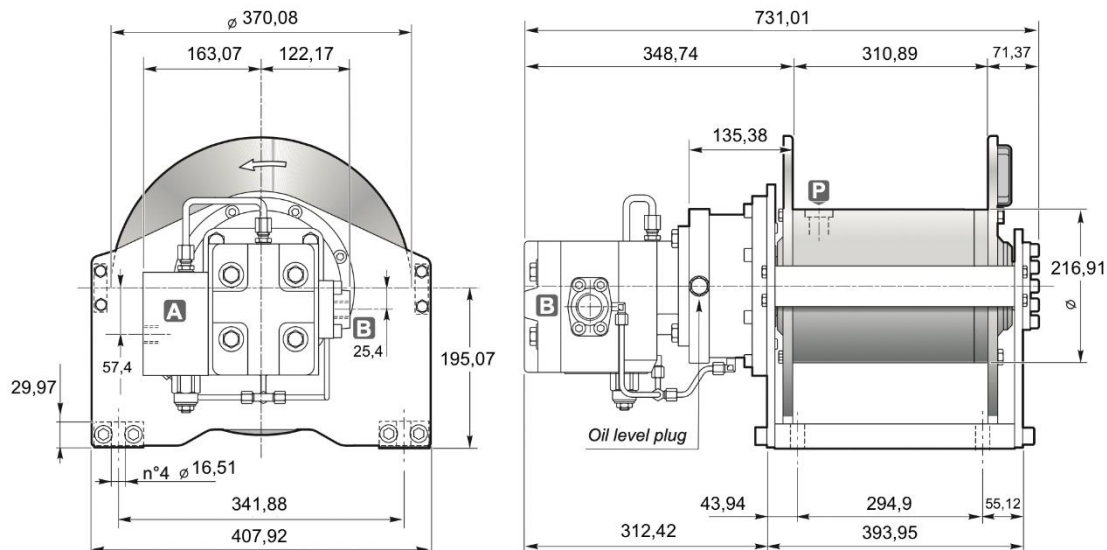


# Hydraulic hoisting winches

Serie A / Model A81-6



## DIMENSIONS (mm)



## TECHNICAL DATA

Rope layer		1	2	3	4	5	6
Line pull	daN	3558	3202	2891	2668	2446	2268
Rope speed with 170l/mn	m / mn	49.6	55.1	60.6	66.1	71.9	77.4
Rope speed with 246l/min	m/min	71.6	79.8	88.1	96	103.6	111.8

Hoisting pressure	max/min pump flow	Motor displacement	Gear ratio	Advised rope diameter	Weight	Connections A&B
bar	l/mn	cm <sup>3</sup>	1 :	mm	kg	
172		105	21		149.68	1" S/16-12 THD SAE – 16 ORB

## OPTIONS

- CE standard kit