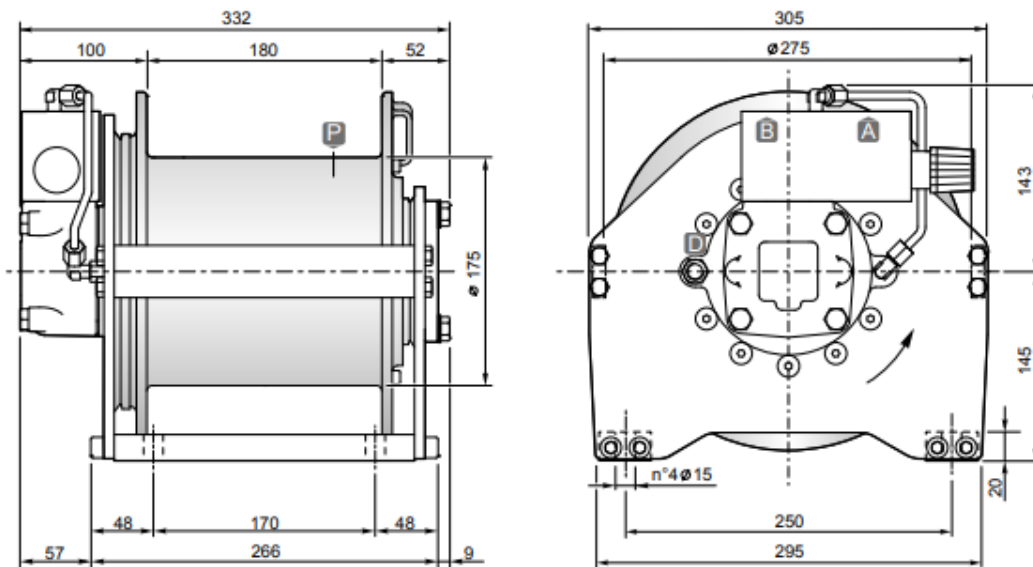


Hydraulic hoisting winches

Serie CW / Model CW12



DIMENSIONS (mm)



TECHNICAL DATA

Rope layer		1	2	3	4
Line pull	daN	1550	1410	1300	1200
Rope speed with 40l/mn	m / mn	32	36	39	42
Rope capacity smooth drum	m	12	25	40	56

Hoisting pressure	max/min pump flow	Motor displacement	Gear ratio	Advised rope diameter	Weight	Connections A&B
bar	l/mn	cm ³	1 :	mm	kg	
185	60/15	100	6.2	8	45	3/4"

OPTIONS

- Cable tensioner
- Cable tensioner and lowering rope end micro switch
- Cable tensioner and hydraulic lowering end stroke
- Electronic load detection system
- Electric rotary limit switch
- CE standard kit