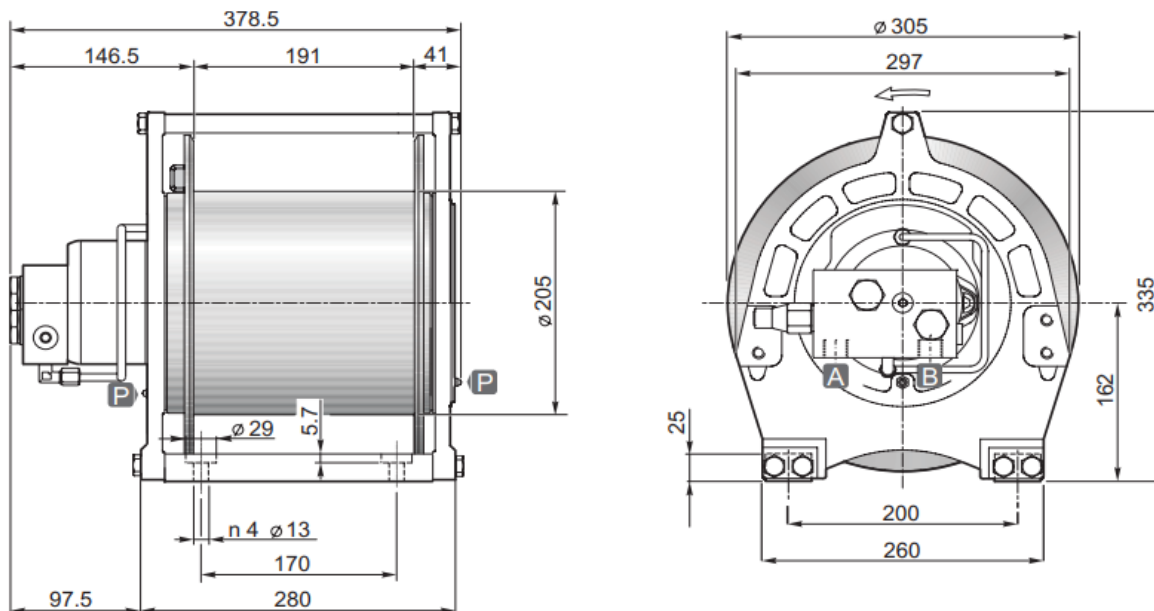


Hydraulic hoisting winches

Serie P / Model P 9/E



DIMENSIONS (mm)



TECHNICAL DATA

Hoisting pressure	max/min pump flow	Motor displacement	Gear ratio	Advised rope diameter	Weight	Connections A&B
<i>bar</i>	<i>l/mn</i>	<i>cm³</i>	<i>1 :</i>	<i>mm</i>	<i>kg</i>	
150	55/20	200	5.04	10	54	1/2"

Rope layer		1	2	3	4
Line pull	<i>daN</i>	1500	1370	1260	1170
Rope speed with 20l/mn	<i>m / mn</i>	27.5	30	32.5	35
Rope capacity smooth drum	<i>m</i>	12	26	40	55
Rope capacity grooved drum	<i>m</i>	11	23	36	50

OPTIONS

- Cable tensioner
- Cable tensioner and lowering rope end micro switch
- Cable tensioner and hydraulic lowering end stroke
- CE standard kit