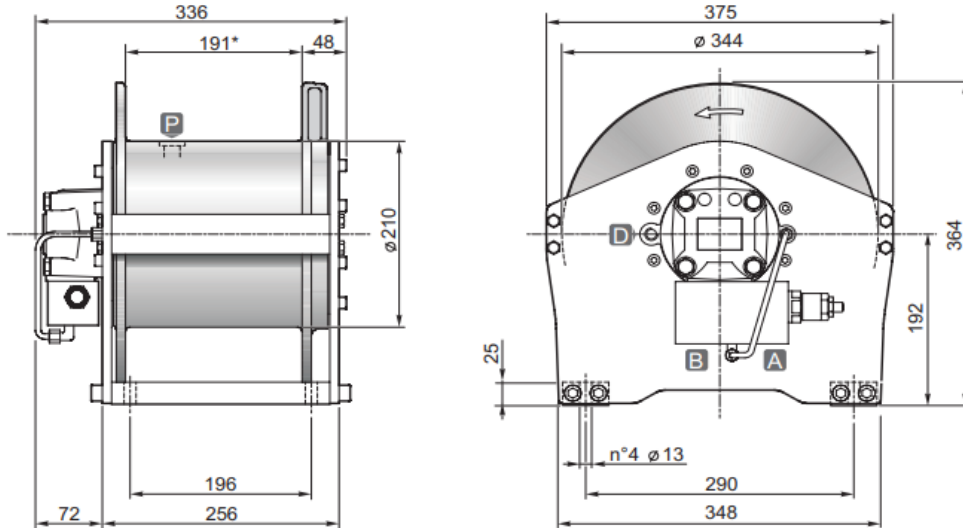


# Hydraulic hoisting winches

Serie S / Model S 15



## DIMENSIONS (mm)



## TECHNICAL DATA

Hoisting pressure	max/min pump flow	Motor displacement	Gear ratio	Advised rope diameter	Weight	Connections A&B
<i>bar</i>	<i>l/mn</i>	<i>cm<sup>3</sup></i>	<i>1 :</i>	<i>mm</i>	<i>kg</i>	
205	45/15	160	5.77	10	77	3/4"

Rope layer		1	2	3	4
Line pull	<i>daN</i>	2000	1830	1700	1570
Rope speed with 45l/mn	<i>m / mn</i>	31.5	34.5	37	40
Rope capacity smooth drum	<i>m</i>	12	26	41	57
Rope capacity grooved drum	<i>m</i>	11	24	37	51

## OPTIONS

- Cable tensioner
- Cable tensioner and lowering rope end micro switch
- Cable tensioner and hydraulic lowering end stroke
- Electric rotary limit switch
- CE standard kit