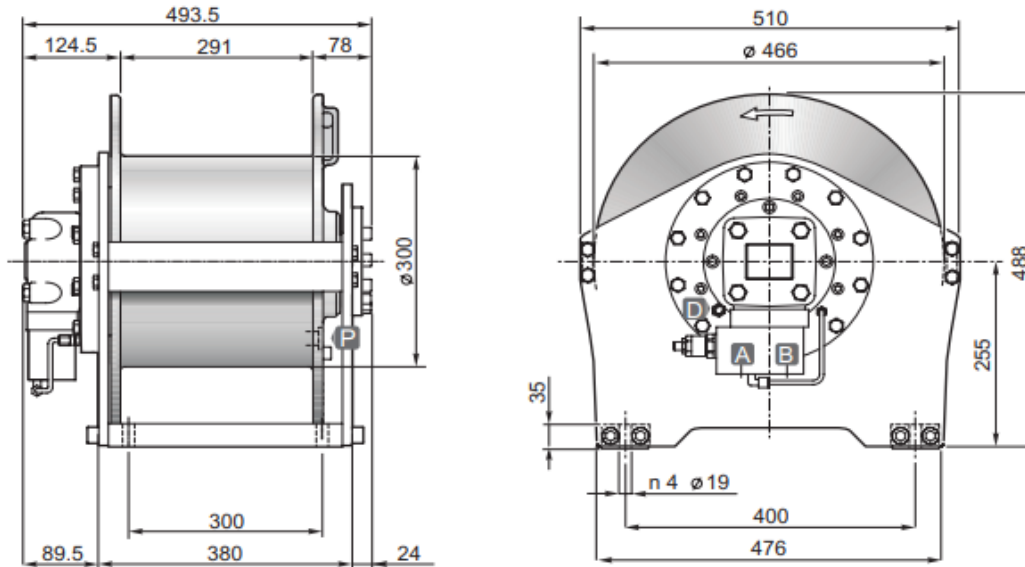


Hydraulic hoisting winches

Serie S / Model S 30/2



DIMENSIONS (mm)



TECHNICAL DATA

Hoisting pressure	max/min pump flow	Motor displacement	Gear ratio	Advised rope diameter	Weight	Connections A&B
<i>bar</i>	<i>l/mn</i>	<i>cm3</i>	<i>1 :</i>	<i>mm</i>	<i>kg</i>	
215	100/15	200	11.5	14	214	3/4"

Rope layer		1	2	3	4
Line pull	<i>daN</i>	3800	3500	3200	3000
Rope speed with 80l/mn	<i>m / mn</i>	32	34.5	37.5	40.5
Rope capacity smooth drum	<i>m</i>	19	40	63	88
Rope capacity grooved drum	<i>m</i>	17	36	57	80

OPTIONS

- Cable tensioner
- Cable tensioner and lowering rope end micro switch
- Cable tensioner and hydraulic lowering end stroke
- Electric rotary limit switch
- CE standard kit