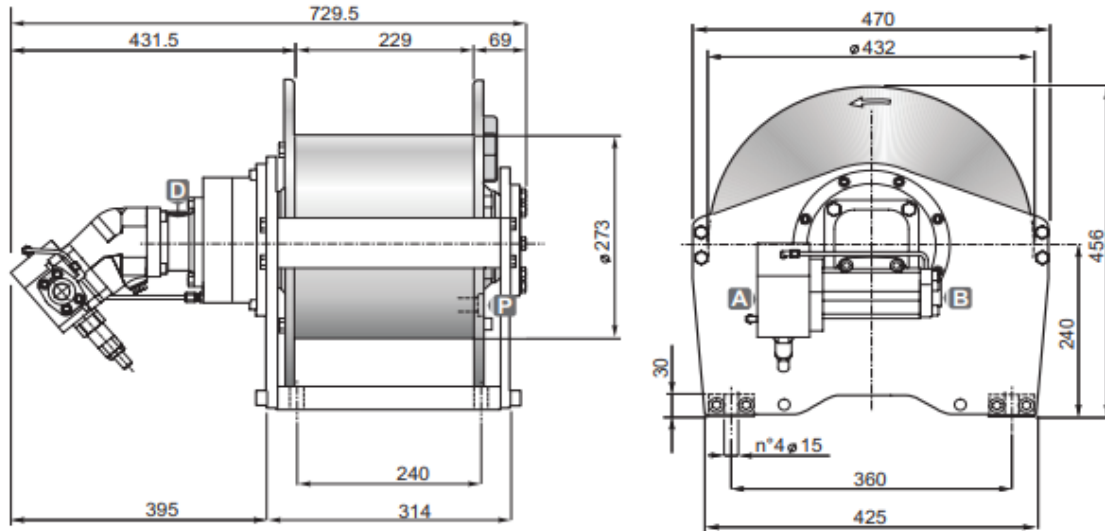


Hydraulic hoisting winches

Serie SE / Model SE 20/3 V



DIMENSIONS (mm)



TECHNICAL DATA

Hoisting pressure	max/min pump flow	Motor displacement	Gear ratio	Advised rope diameter	Weight	Connections A&B
<i>bar</i>	<i>l/mn</i>	<i>cm³</i>	<i>1 :</i>	<i>mm</i>	<i>kg</i>	
215	150/15	40	34.77	12	165	3/4"

Rope layer		1	2	3	4	5
Line pull	<i>daN</i>	2500	2300	2150	2000	1875
Rope speed with 125l/mn	<i>m / mn</i>	74	81	87	93	100
Rope capacity smooth drum	<i>m</i>	16	33	52	73	94
Rope capacity grooved drum	<i>m</i>	15	31	48	67	87

OPTIONS

- Cable tensioner
- Cable tensioner and lowering rope end micro switch
- Cable tensioner and hydraulic lowering end stroke
- Electric rotary limit switch
- CE standard kit