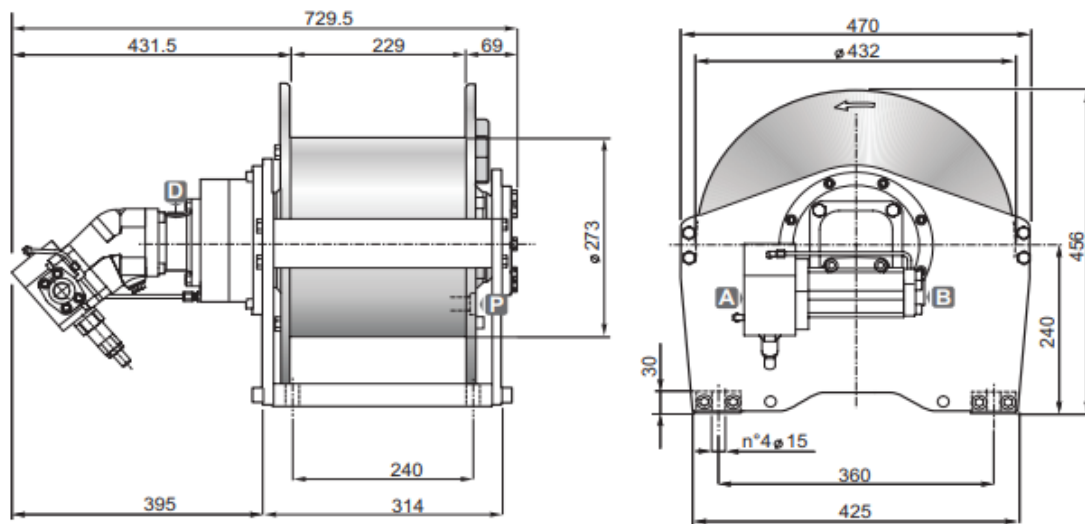


Hydraulic hoisting winches

Serie SE / Model SE 27/3 V



DIMENSIONS (mm)



TECHNICAL DATA

Hoisting pressure	max/min pump flow	Motor displacement	Gear ratio	Advised rope diameter	Weight	Connections A&B
<i>bar</i>	<i>l/mn</i>	<i>cm³</i>	<i>1 :</i>	<i>mm</i>	<i>kg</i>	
220	190/15	56	34.77	14	172	3/4"

Rope layer		1	2	3	4
Line pull	<i>daN</i>	3550	3250	3000	2750
Rope speed with 60l/mn	<i>m / mn</i>	53	59	64	69
Rope capacity smooth drum	<i>m</i>	14	29	45	63
Rope capacity grooved drum	<i>m</i>	13	27	42	59

OPTIONS

- Cable tensioner
- Cable tensioner and lowering rope end micro switch
- Cable tensioner and hydraulic lowering end stroke
- Electric rotary limit switch
- CE standard kit