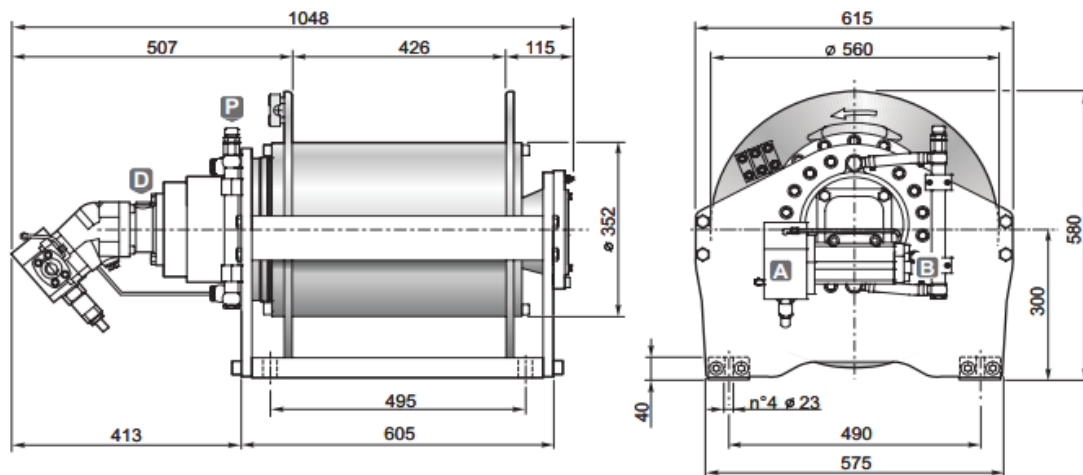


Hydraulic hoisting winches

Serie SRD / Model SRD A60



DIMENSIONS (mm)



TECHNICAL DATA

Hoisting pressure	max/min pump flow	Motor displacement	Gear ratio	Advised rope diameter	Weight	Connections A&B
<i>bar</i>	<i>l/mn</i>	<i>cm³</i>	<i>1 :</i>	<i>mm</i>	<i>kg</i>	
265	220/30	63.5	74.03	18	473	3/4" B ; 1" A

Rope layer		1	2	3	4
Line pull	<i>daN</i>	8000	7300	6700	6200
Rope speed with 180l/mn	<i>m / mn</i>	42	46	50	54
Rope capacity smooth drum	<i>m</i>	26	55	87	121
Rope capacity grooved drum	<i>m</i>	24	52	83	116

OPTIONS

- Cable tensioner
- Cable tensioner and lowering rope end micro switch
- Cable tensioner and hydraulic lowering end stroke
- Electric rotary limit switch
- Hydraulic rotary limit switch
- CE standard kit