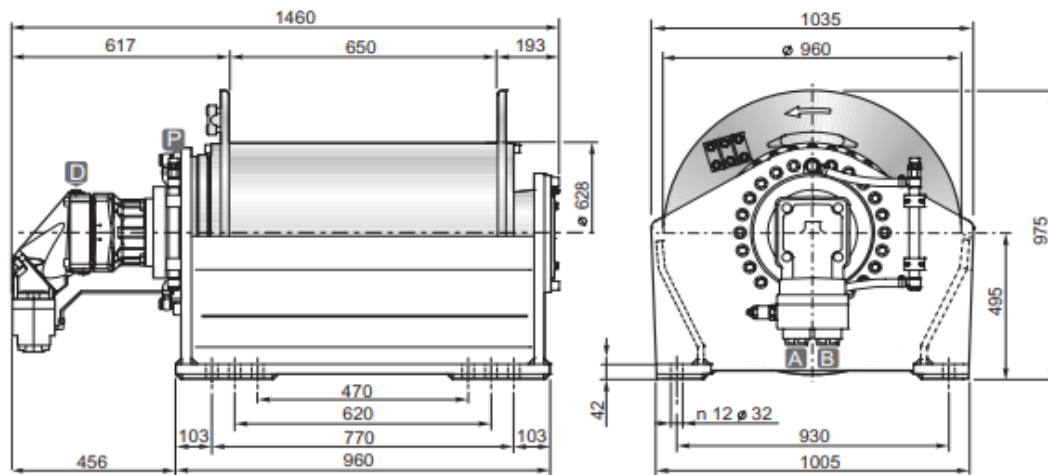


Hydraulic hoisting winches

Serie SRD / Model SRD G230



DIMENSIONS (mm)



TECHNICAL DATA

Hoisting pressure	max/min pump flow	Motor displacement	Gear ratio	Advised rope diameter	Weight	Connections A&B
<i>bar</i>	<i>l/mn</i>	<i>cm³</i>	<i>1 :</i>	<i>mm</i>	<i>kg</i>	
290	250/30	242	120.13	30	865	1" 1/2

Rope layer		1	2	3	4
Line pull	<i>daN</i>	29300	26850	24750	23000
Rope speed with 250l/mn	<i>m / mn</i>	16.5	18	19.5	21
Rope capacity smooth drum	<i>m</i>	42.5	89	140	194
Rope capacity grooved drum	<i>m</i>	38.5	84	133	186

OPTIONS

- Cable tensioner
- Cable tensioner and lowering rope end micro switch
- Cable tensioner and hydraulic lowering end stroke
- Electric rotary limit switch
- Hydraulic rotary limit switch
- CE standard kit