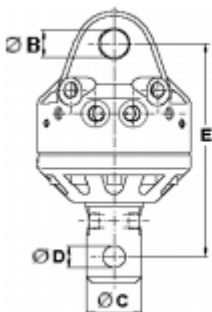


Rotators à Tenon

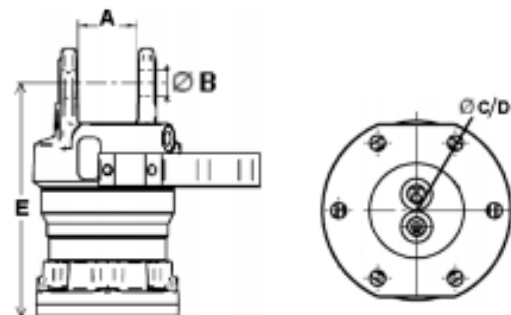
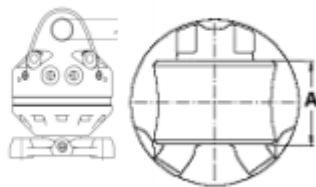
Type	A	B	C	D	E	Ports	Charge max (Kg)	Couple (Nm)	Flexion (N/m)	Pression max (bar)	Poids (Kg)
SR 349	60	25	49.5	25	229	3/8 Gas	3 000	450	1 750	320	24
SR 459-30 //	84	30	59	30	259	3/8 Gas	4 500	850	3 000	320	25
SR 459-26 //	84	30	59	26	259	3/8 Gas	4 500	850	3 000	320	25
SR 462-25	84	30	62	25	242	3/8 Gas	4 500	850	3 000	320	25
SR 468-30 ⊥	84	30	68	30	242	3/8 Gas	4 500	850	3 000	320	25
SR 469-30 //	84	30	69	30	252	3/8 Gas	4 500	850	3 000	320	25
SR 6.68 ⊥	80.5	35	68	30	282	1/2 Gas	6 000	1 000	4 500	320	32
SR 6.69 // K	80.5	35	69	30	282	1/2 Gas	6 000	1 000	4 500	320	32

Rotators Flasqués

Type	A	B	C	D	E	Ports	Charge max (Kg)	Couple (Nm)	Flexion (N/m)	Pression max (bar)	Poids (Kg)
SR 4F / SR4FV	84	30	140/4		220	3/8 Gas	4 500	850	3 000	320	27
SR 6F 173/6	81	35	173/6		275	1/2 Gas	6 000	1 000	8 500	320	34
SR 10F 173/6-35	81	35	173/6		313	3/4 Gas	10 000	1 800	12 000	320	66
SR 10F 173/6-352	81	35	173/6		313	3/4 Gas	10 000	1 800	12 000	320	66
SR 10F 173/6-45	101	45	173/6		329	3/4 Gas	10 000	1 800	12 000	320	68



Rotators à Tenon SR 3 , SR 4, SR4F



SR 6
Rotator flasqué sauf SR4F