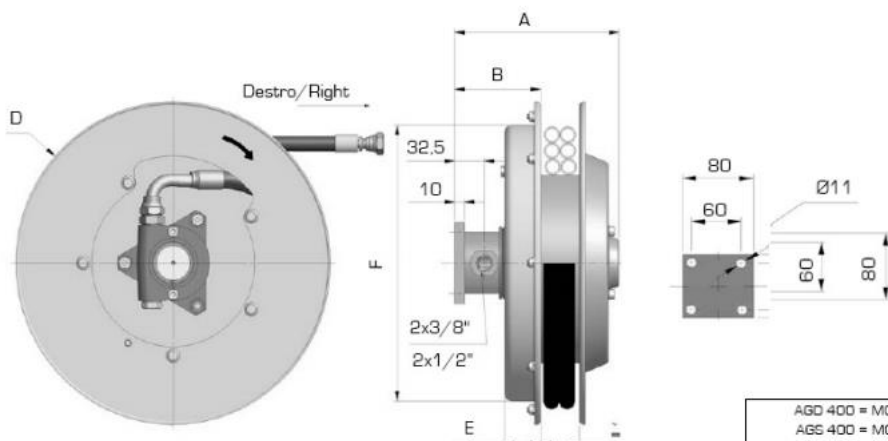
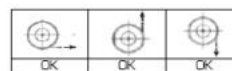


AG/F Series / 2-hose Hydraulic Reels



References	A	B	D	E	F	With Hoses R7-R8-B1-B2		
	In mm					Ø	Length	
							Total in m	Useful length in m
AGD270.06.XX/F	166		275	30	270	1/4'	4.0	3.7
AGD270.08.XX/F						5/16'	3.2	2.9
AGD270.10.XX/F						3/8'	2.8	2.5
AGD296.06.XX/F	166	75	295	35	291	1/4'	3.0	2.7
AGD296.08.XX/F						5/16'	2.3	2.0
AGD296.10.XX/F						3/8'	2.3	2.0
AGD296.12.XX/F	212					1/2'	1.5	1.2
AGD321.06.XX/F	166	82	325	37	272	1/4'	4.0	3.7
AGD321.08.XX/F						5/16'	3.2	2.9
AGD321.10.XX/F						3/8'	3.3	3.0
AGD321.12.XX/F	212					1/2'	2.5	2.2
AGD341.06.XX/F	166	82	340	37	272	1/4'	5.0	4.7
AGD341.08.XX/F						5/16'	4.2	3.9
AGD341.10.XX/F						3/8'	4.0	3.7
AGD341.12.XX/F						1/2'	2.5	2.2
AGD370.06.XX/F	166	82	370	37	272	1/4'	6.0	5.7
AGD370.08.XX/F						5/16'	5.3	5.0
AGD370.10.XX/F						3/8'	4.5	4.2
AGD370.12.XX/F	212					1/2'	3.5	3.2
AGD400.06.XX/F	166	82	400	47	322	1/4'	7.3	7.0
AGD400.08.XX/F						5/16'	6.5	6.2
AGD400.10.XX/F						3/8'	5.6	5.3
AGD400.12.XX/F	212					1/2'	4.5	4.2
AGD420.06.XX/F	166	97	420	47	322	1/4'	8.6	8.1
AGD420.08.XX/F						5/16'	8.0	7.5
AGD420.10.XX/F						3/8'	6.7	6.2
AGD420.12.XX/F	212					1/2'	4.7	4.2
AGD470.06.XX/F	166	97	478	47	322	1/4'	11.5	11.0
AGD470.08.XX/F						5/16'	10.0	9.5
AGD470.10.XX/F						3/8'	9.5	9.0

MAX 40 l/min
W. P. 300 bar
Option 400 bar



AGD 400 = MODELLO DESTRO / RIGHT MODEL
AGS 400 = MODELLO SINISTRO / LEFT MODEL
Es. ORD: AGD 400.10.R7

Also available as left-hand outlet AGS

Pressure : 350 bar with B2 hoses