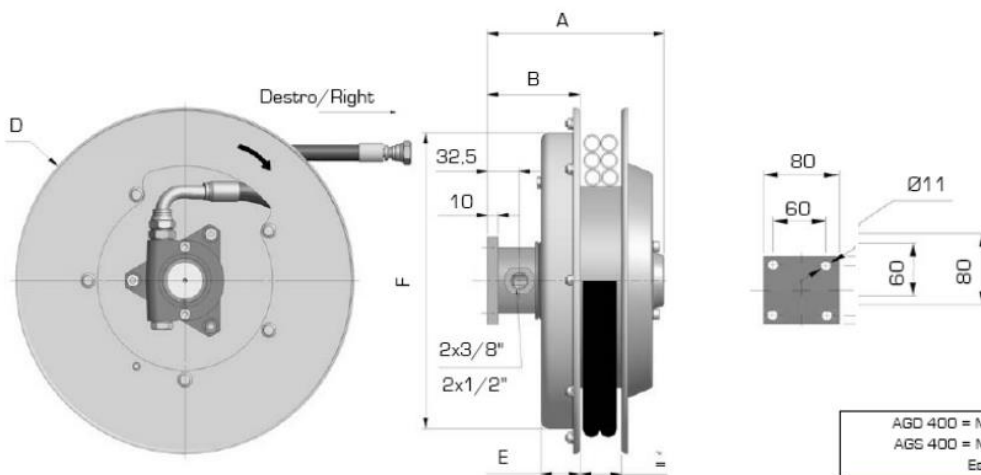
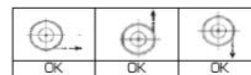


AG/F Series / 2-hose Hydraulic Reels



References	A	B	D	E	F	With hoses R7-R8-B1-B2		
	In mm					Ø	Length	
							Total in mm	Useful in mm
AGD520.06.XX/F	176	97	520	47	322	1/4'	14.5	14.0
AGD520.08.XX/F						5/16'	12.5	12.0
AGD520.10.XX/F						3/8'	11.2	10.7
AGD520.12.XX/F						1/2'	9.0	8.5
AGD570.06.XX/F	176	97	570	47	322	1/4'	17.5	17.0
AGD570.08.XX/F						5/16'	15.5	15.0
AGD570.10.XX/F						3/8'	13.5	13.0
AGD570.12.XX/F						1/2'	10.7	10.2
AGD600.06.XX/F	176	97	620	47	422	1/4'	21.0	20.5
AGD600.08.XX/F						5/16'	17.0	16.5
AGD600.10.XX/F						3/8'	16.0	15.5
AGD600.12.XX/F						1/2'	12.5	12.0
AGD650.06.XX/F	176	97	650	47	422	1/4'	22.5	22.0
AGD650.08.XX/F						5/16'	19.5	19.0
AGD650.10.XX/F						3/8'	17.5	17.0
AGD650.12.XX/F						1/2'	14.5	14.0
AGD700.06.XX/F	176	97	720	47	532	1/4'	27.0	26.5
AGD700.08.XX/F						5/16'	22.0	21.5
AGD700.10.XX/F						3/8'	20.0	19.5
AGD700.12.XX/F						1/2'	16.0	15.5
AGD800.08.XX/F	186	107	820	57	532	5/16'	30.0	29.0
AGD800.10.XX/F						3/8'	26.0	25.0
AGD800.12.XX/F						1/2'	21.0	20.0

MAX 40 l/min
W. P. 300 bar
Option 400 bar



AGD 400 = MODELLO DESTRO / RIGHT MODEL
AGS 400 = MODELLO SINISTRO / LEFT MODEL
Es. ORD: AGD 400.10.R7

Also available as left-hand outlet AGS

Pressure : 350 bar with B2 hoses