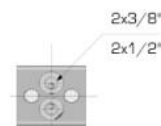
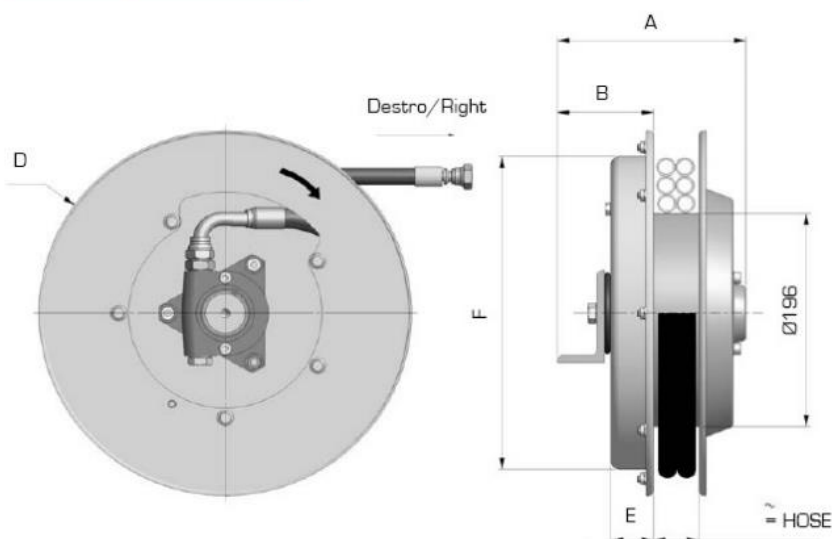
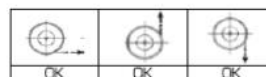


# AG Standard Series / 2-hose Hydraulic Reels



References	A	B	D	E	F	With hoses R7-R8-B1-B2		
	In mm					Ø	Length	
							Total in mm	Useful in mm
AGD520.06.XX	171	92	520	47	322	1/4'	14.5	14.0
AGD520.08.XX					5/16'	12.5	12.0	
AGD520.10.XX					3/8'	11.2	10.7	
AGD520.12.XX					1/2'	9.0	8.5	
AGD570.06.XX	171	92	570	47	422	1/4'	17.5	17.0
AGD570.08.XX					5/16'	15.5	15.0	
AGD570.10.XX					3/8'	13.5	13.0	
AGD570.12.XX					1/2'	10.7	10.2	
AGD600.06.XX	171	92	620	47	422	1/4'	21.0	20.5
AGD600.08.XX					5/16'	17.0	16.5	
AGD600.10.XX					3/8'	16.0	15.5	
AGD600.12.XX					1/2'	12.5	12.0	
AGD650.06.XX	181	102	650	57	422	1/4'	22.5	22.0
AGD650.08.XX					5/16'	19.5	19.0	
AGD650.10.XX					3/8'	17.5	17.0	
AGD650.12.XX					1/2'	14.5	14.0	
AGD700.06.XX	181	102	720	57	532	1/4'	27.0	26.5
AGD700.08.XX					5/16'	22.0	21.5	
AGD700.10.XX					3/8'	20.0	19.5	
AGD700.12.XX					1/2'	16.0	15.5	
AGD800.08.XX	191	112	820	67	532	5/16'	30.0	29.0
AGD800.10.XX					3/8'	26.0	25.0	
AGD800.12.XX					1/2'	21.0	20.0	
AGD900.08.XX					201	122	920	67
AGD900.10.XX	3/8'	34.0	33.0					
AGD900.12.XX	1/2'	28.0	27.0					
AGD1000.10.XX	226	122	1000	67	687	3/8'	36.0	35.0
AGD1000.12.XX					1/2'	35.0	34.0	

MAX 40 l/min  
W. P. 300 bar  
Option 400 bar



AGD 400 = MODELLO DESTRO / RIGHT MODEL  
AGS 400 = MODELLO SINISTRO / LEFT MODEL  
Eg. ORD: AGD 400.10.R7

Also available as left-hand outlet AGS

Pressure : 350 bar with B2 hoses