

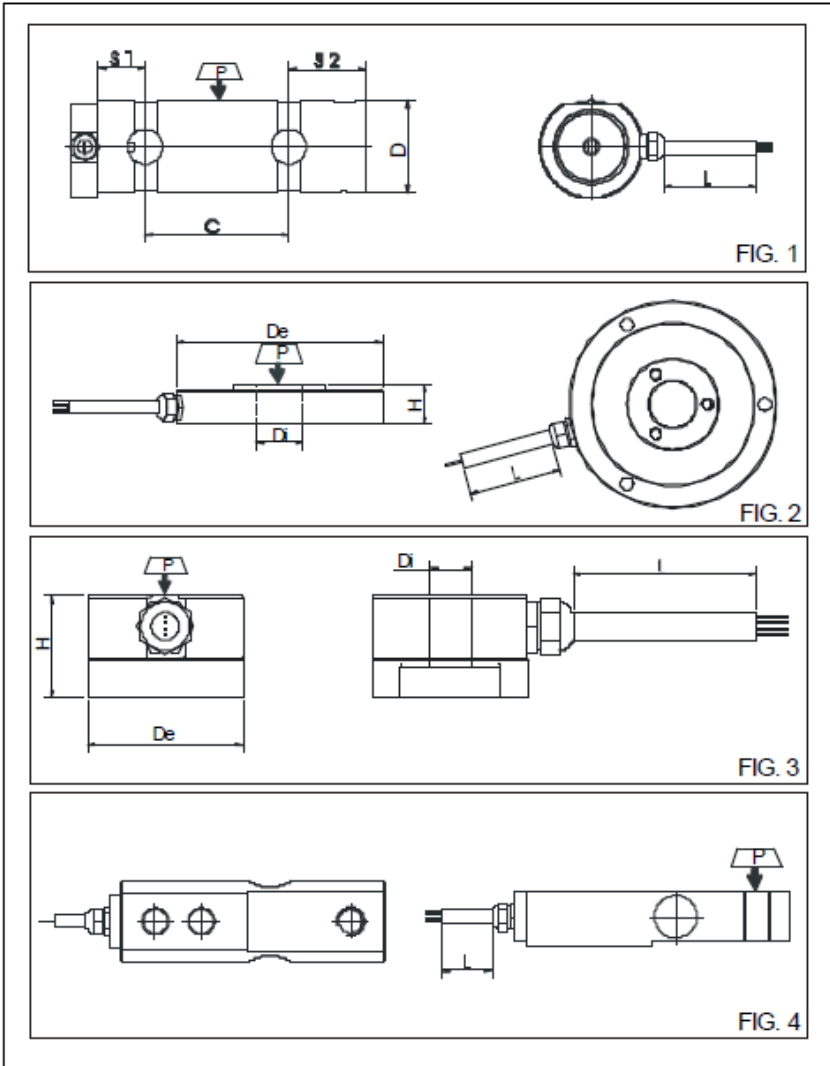


## DESCRIPTION

BPE has the capacity to make special sensors on request of the customer to carry out the requested controls. The sensors are shown schematically here. The diagrams below contain the data that is essential to have when first defining these special sensors. The technical data not specified are specific to the requested implementation.

## TECHNICAL DATA

Alimentation	Max 7	Vdc	Isolation		GΩ
Sensibilité		mV/V	Résistance en entrée et sortie		Ω
Protection	IP 66		Température de travail	-20 ÷ 70	°C
Linearité, répétabilité, hystérésis					



### Données essentielles

	daN	mm	mm	mm	mm	m
Fig. 1	P	D	S1	S2	C	L
Fig. 2		De	Di	H	-	
Fig. 3		De	Di	H	-	
Fig. 4						