

Parallel Opening Brick Pliers



The PPOP2000 block clamp is the essential tool for handling palletised and non-palletised materials.

- **Fixed or adjustable working height, with hydraulically controlled parallel arm opening.**
- **Numerous applications** due to opening widths from 400 mm to 1400 mm, e.g. for loading preformed concrete elements, kerbstones, or palletised or unpalletised packages of paving stones, bricks and blocks.
- **Heavy duty handling with the PPOP3000 of the same design but reinforced.**
- **PPOP2000V and PPOP3000V** have adjustable working heights
- **Synchronisation of the arms** by 2 hydraulic cylinders which are hydraulically linked together by a differential control.
- **Hydraulic safety** provided by a pressure relief valve that protects against overloads. A check valve prevents the load from being released even if the pressure on the crane drops.
- **Longevity** thanks to oversized bearings with large grease retaining cavities, automatic adjustment of the play in the main bearings and the spherical central bearing of the cylinders.

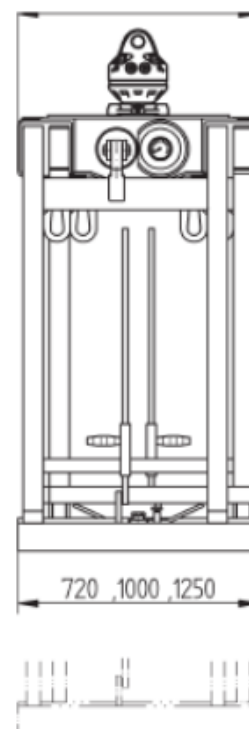
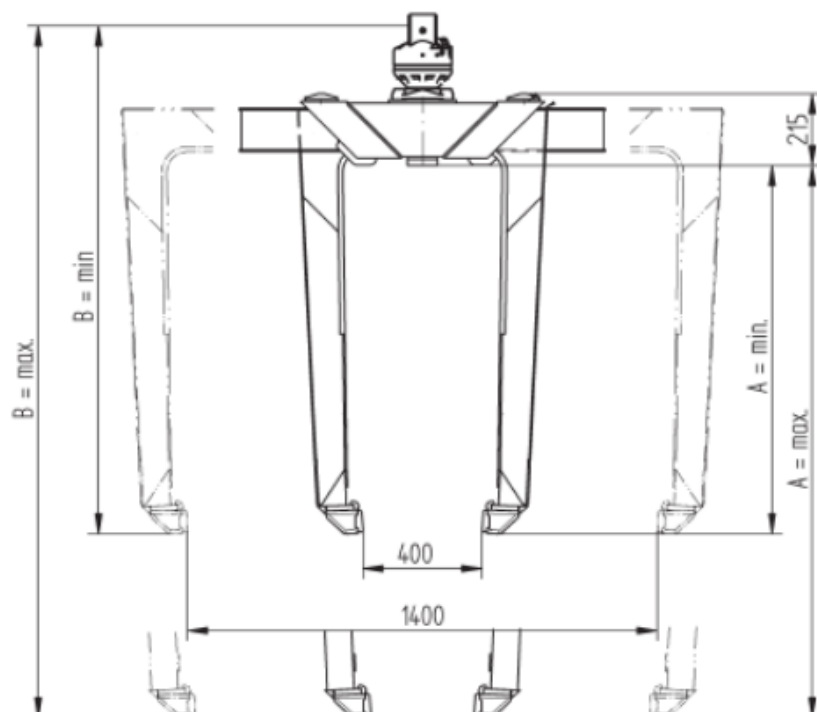
| Type | Opening in mm | Capacity at Grip Height (mini/maxi, Kg) | Grip height A in mm | Height in mm | Weight en Kg | Public Price in € excl. (without jaws) | |
|-------------------|---|---|---------------------|--------------|--------------|--|--|
| PPOP2000-850 | 400-1400 | 2200 | 850 | 1065 | 240 | Contact us | |
| PPOP2000-1000 | 400-1400 | 2000 | 1000 | 1215 | 250 | | |
| PPOP2000-1300 | 400-1400 | 1600 | 1300 | 1515 | 260 | | |
| PPOP2000-850V | 400-1400 | 2200-1600 | 850-1400 | 1065-1615 | 275 | | |
| PPOP2000-1100V | 400-1400 | 1900-1350 | 1100-1650 | 1315-1865 | 295 | | |
| PK-PPOP2000-1100V | Pack including: 1 x PPOP2000-1100V clamp + clevis + rotator 4T5 flange + hoses + M92-1000 jaws | | | | | | |
| PPOP3000-850 | 400-1400 | 3000 | 850 | 1090 | 400 | | |
| PPOP3000-1000 | 400-1400 | 2500 | 1000 | 1240 | 420 | | |
| PPOP3000-1100V | 400-1400 | 2300-1600 | 1100-1850 | 1340-1890 | 490 | | |
| Variants | | | | | | | |
| PPOP 2000 | 400-1800 | | | | | | |
| PPOP 3000 | 400-1800 | | | | | | |

Note : - The stated capacity does not take into account the composition of the load (surface condition, type of packaging, etc.) The capacity does not apply to small, unbound packages of paving stones or concrete blocks.

Operating pressure : 200 à 260 bar, if higher, can be adapted with pressure relief valve on the carrier machine.

Recommended flow rate : 25 à 75 l/min

PPOP2000: 720mm
PPOP3000: 810mm



| Type | Description | Weight in kg | Public Price in € excl. |
|----------|---|--------------|-------------------------|
| M92-720 | A set of 2 jaws with a long smooth rubber insert : 720 mm | 17 | Contact us |
| M92-1000 | A set of 2 jaws with a long smooth rubber insert : 1000 mm | 24 | Contact us |
| M92-1250 | A set of 2 jaws with a long smooth rubber insert : 1250 mm | 28 | Contact us |
| M93-720 | One set of 2 jaws with two-part rubber inserts, top grooved, bottom smooth long : 720 mm | 24 | Constact us |
| M93-1000 | One set of 2 jaws with two-part rubber inserts, top grooved, bottom smooth long : 1000 mm | 33 | Constact us |
| M93-1250 | One set of 2 jaws with two-part rubber inserts, top grooved, bottom smooth long : 1250 mm | 40 | Constact us |
| M23-1000 | A set of 2 jaws with locking lever and long guided parallel steel claws : 1000 mm | 62 | Contact us |
| M23-1250 | A set of 2 jaws with locking lever and long guided parallel steel claws : 1250 mm | 76 | Contact us |
| M31 | Spacers : to reduce the grip width by 200 mm | 16 | Contact us |
| M13 | Inserts for casing rings from 800 to 1350 mm diameter | 60 | Contact us |
| CAS 00 | Quick release device | 12 | Contact us |
| DR 80 | Folding device : to reduce the overall height with tenon rotator | 12 | Contact us |
| AG 81 | Crane lowerer : to reduce the overall height with a flanged rotator | 18 | Contact us |