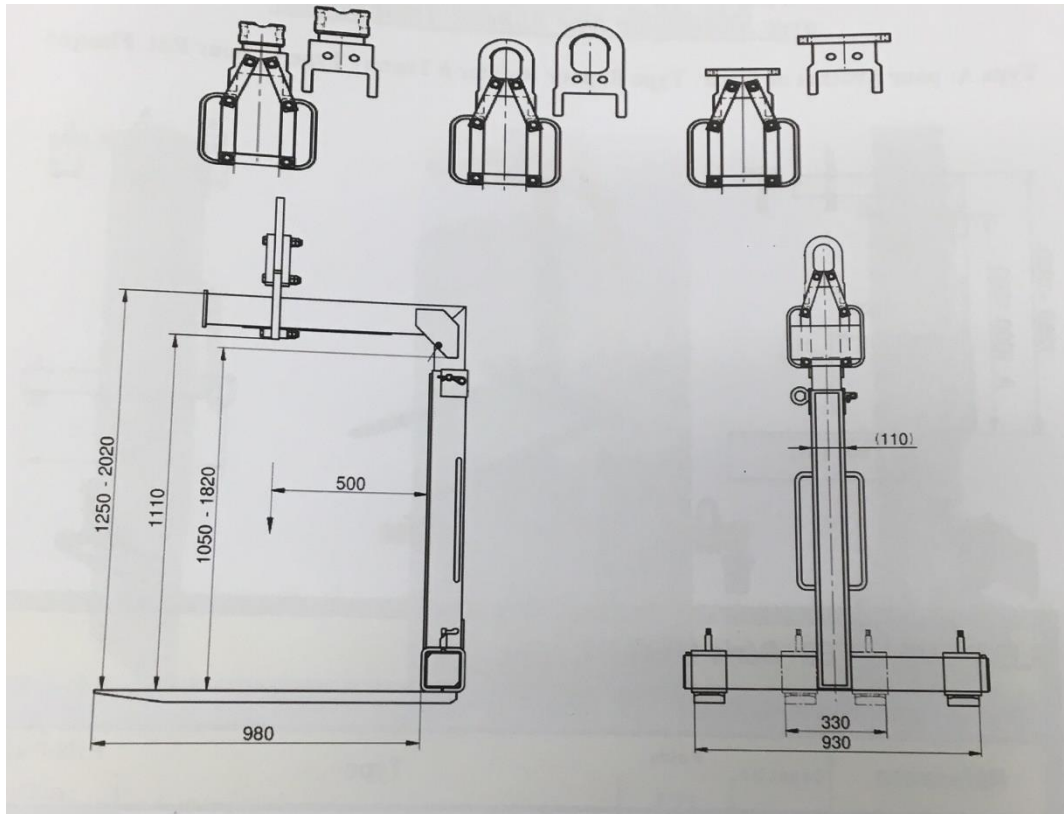


Compliant with the new standard EN 13155
With suspension type

ANTI-TILT BALANCED Pantograph

Type BV : For tenon rotator / Type AV : for hook / Type CV : For automatic hook



PALLET LIFTS Series LPS2000 T''x''V				
Series 2T complies with EN 13155 (equipped with safety chain)				
Reference	Capacity in Kg	Weight in Kg	Type	Public price in € excl.
LPS 2000 TAV	2000	145	Type A V : Anti-tilt balanced pantograph with hook ring	Contact us
LPS 2000 TBV xx	2000	150	Type B V : Anti-tilt balanced pantograph with XX mm Rotator socket (specify diameter)	
LPS 2000 TCV	2000	150	Type C V : Anti-tilt balanced pantograph with 140x140 plate for automatic hooking	
BRD-AR	Consult us	1.5	Rear flage pantograph lock	

Available in 2000 pack (pallet lift + rotator + clevis + hook)