

Oscillating opening pliers



Available with several fixed grip depths.

Versatile use because of opening widths from 40 to 1500 mm, e.g. for loading individual kerbs or palletised material.
Synchronisation of the arms by strong notched sectors.

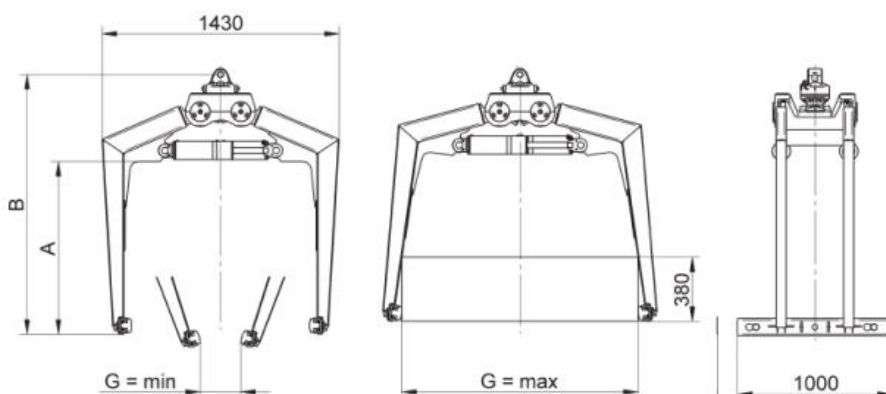
Hydraulic safety through integrated pressure relief valve and check valve.

The closing force is maintained even in the event of an accidental pressure drop.

Despite the high gripping height, the total space requirement is reduced to a minimum, as the rotator is partially integrated into the support frame.

The jaws are removable with interchangeable rubber inserts.

Type	Grip Height A en mm	Capacity en Kg	Opening width G en mm	Height B en mm	Weight en Kg	Public price of the pack in € excl.
PK-POS 1000	1000	2000	220-1420	1565	315	Consult us
PK-POS 1100	1100	2000	160-1450	1665	320	
PK-POS 1200	1200	1800	98-1475	1765	325	
PK-POS 1300	1300	1600	40-1500	1865	330	
Package Contents	Clamp, SR 4 flanged rotator, hoses, crane/rotator clevis, 1000 mm jaws, pressure relief valve and check valve.					



Ouverture optimale pour une hauteur de prise maximum

Ouverture maximum pour une hauteur de prise réduite



Operating pressure : 200 à 320 bar/Fow : 25/75 L/mn

Note : - The stated capacity does not take into account the constitution of the load (surface condition, packing method, etc.). The capacity is not valid for packages of small, unbound concrete paving stones or blocks.

- The maximum grip height A decreases as the grip width increases above 1100mm (see technical drawings).