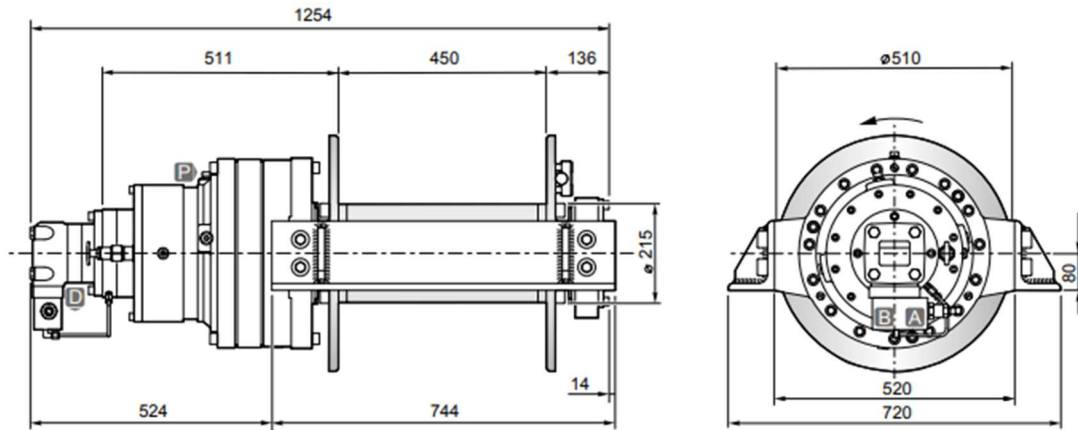


Hydraulic towing winch

Serie T / Model T300



DIMENSIONS (mm)



TECHNICAL DATA

Rope layer		1	2	3	4
Line pull	<i>daN</i>	30000	24650	20950	18200
Rope speed with 75l/mn	<i>m / mn</i>	4.5	5.5	6.5	7.5
Rope capacity smooth drum	<i>m</i>	12.5	27.5	45	65.5

Hoisting pressure	max/min pump flow	Motor displacement	Gear ratio	Advised rope diameter	Weight	Connections A&B
<i>bar</i>	<i>l/mn</i>	<i>cm3</i>	<i>1 :</i>	<i>mm</i>	<i>kg</i>	
205	100/10	250	1 : 60.5	26	420	3/4"

OPTIONS

- Cable tensioner kit
- Cable guide kit