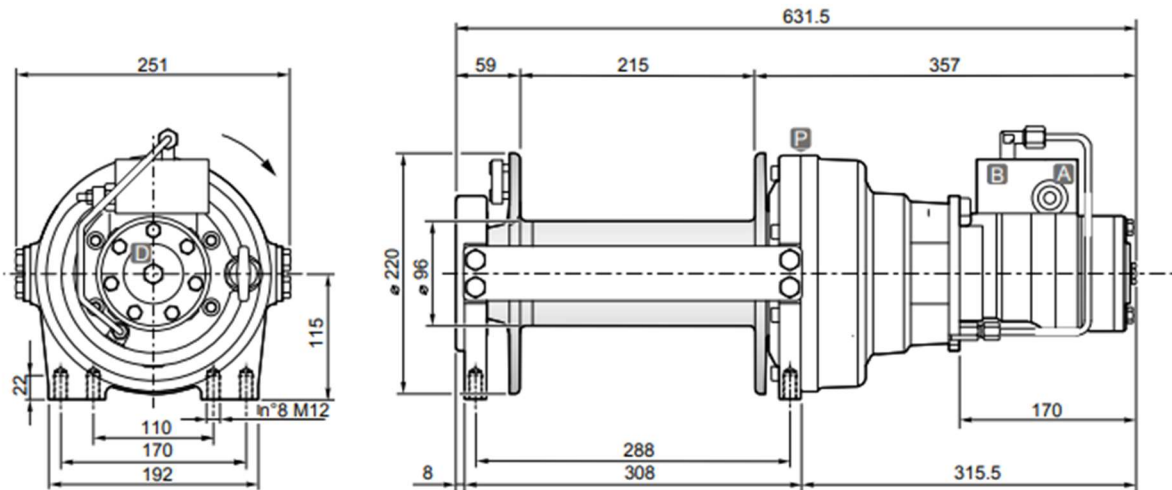


Hydraulic towing winch

Serie T / Model T36 IN



DIMENSIONS (mm)



TECHNICAL DATA

Rope layer		1	2	3	4
Line pull	daN	3600	2950	2500	2150
Rope speed with 40l/mn	m / mn	10	14	14	16
Rope capacity smooth drum	m	5.7	15	21	30.5

Hoisting pressure	max/min pump flow	Motor displacement	Gear ratio	Advised rope diameter	Weight	Connections A&B
bar	l/mn	cm ³	1 :	mm	kg	
150	50/10	200	1 :5.77	12	50	1/2"

OPTIONS

- Cable tensioner kit
- Cable guide kit