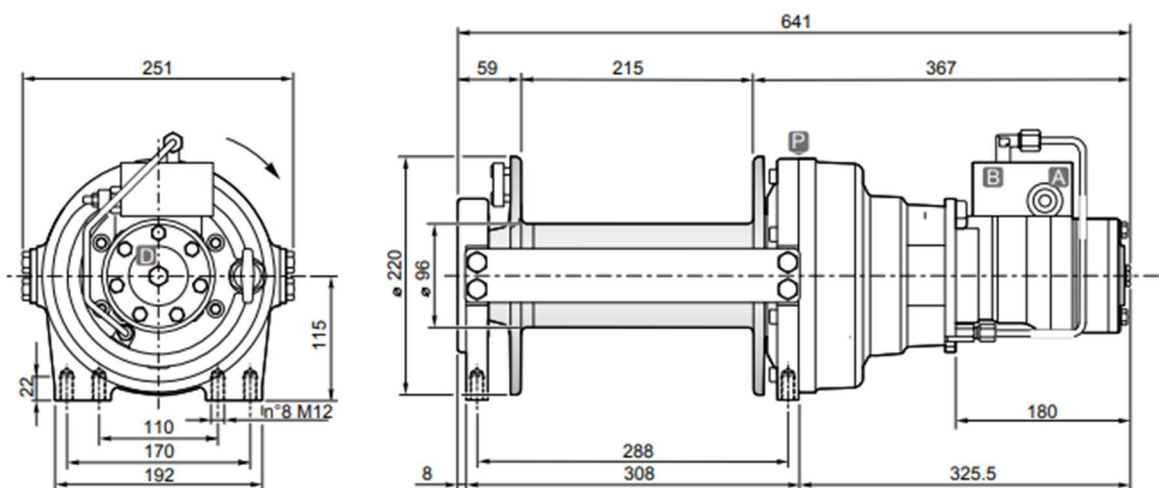


Hydraulic towing winch

Serie T / Model T46 IN



DIMENSIONS (mm)



TECHNICAL DATA

Rope layer		1	2	3	4
Line pull	daN	4600	3750	3200	2750
Rope speed with 40l/mn	m / mn	8.5	10	12	14
Rope capacity smooth drum	m	5.7	12.5	21	30.5

Hoisting pressure	max/min pump flow	Motor displacement	Gear ratio	Advised rope diameter	Weight	Connections A&B
bar	l/mn	cm ³	1 :	mm	kg	
165	50/10	250	1 : 5.43	12	50	1/2"

OPTIONS

- Cable tensioner kit
- Cable guide kit