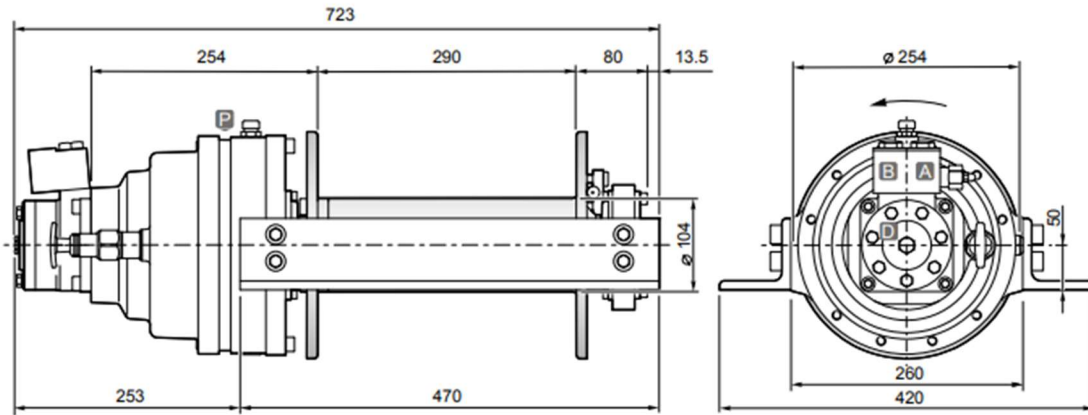


Hydraulic towing winch Serie T / Model T60



DIMENSIONS (mm)



TECHNICAL DATA

| Rope layer | | 1 | 2 | 3 | 4 |
|------------------------------|---------------|------|------|------|------|
| Line pull | <i>daN</i> | 6000 | 4850 | 4070 | 3500 |
| Rope speed with 40l/mn | <i>m / mn</i> | 6.5 | 8 | 9.5 | 11 |
| Rope capacity smooth drum | <i>m</i> | 7.5 | 16.5 | 27 | 40 |

| Hoisting pressure | max/min pump flow | Motor displacement | Gear ratio | Advised rope diameter | Weight | Connections A&B |
|-------------------|-------------------|-----------------------|------------|-----------------------|-----------|-----------------|
| <i>bar</i> | <i>l/mn</i> | <i>cm³</i> | <i>1 :</i> | <i>mm</i> | <i>kg</i> | |
| 180 | 45/10 | 127 | 1 :14.8 | 14 | 86 | 3/8" |

OPTIONS

- Cable tensioner kit
- Cable guide kit