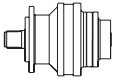
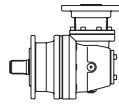


RE 5020

|  | i_e | $T_{cont.} (Nm)$ | | | | | | | $n_1 \text{ max}$ RPM |
|---|---------|------------------|----------------|----------------|----------------|----------------|----------------|----------------|--------------------------|
| | | $n_2 \times h$ | $n_2 \times h$ | $n_2 \times h$ | $n_2 \times h$ | $n_2 \times h$ | $n_2 \times h$ | $n_2 \times h$ | |
| | | 10.000 | 25.000 | 50.000 | 100.000 | 500.000 | 1.000.000 | 2.000.000 | |
| RE 5021 | 4,14 | 68812 | 59906 | 53944 | 49142 | 31130 | 25285 | 20538 | 2000 |
| | 5,40 | 54033 | 47040 | 42358 | 39829 | 30350 | 24652 | 20024 | 2000 |
| | 6,50 | 39835 | 34679 | 31227 | 29986 | 27352 | 23959 | 19461 | 2000 |
| RE 5022 | 16,95 | 68812 | 59906 | 53944 | 49142 | 31130 | 25285 | 20538 | 2400 |
| | 21,75 | 58590 | 53266 | 51197 | 49142 | 31130 | 25285 | 20538 | 2400 |
| | 22,09 | 54033 | 47040 | 42358 | 39829 | 30350 | 24652 | 20024 | 2400 |
| | 25,81 | 45165 | 41871 | 40245 | 38682 | 30828 | 25040 | 20339 | 2400 |
| | 28,35 | 54033 | 47040 | 42358 | 39829 | 30350 | 24652 | 20024 | 2400 |
| | 33,65 | 54033 | 47040 | 42358 | 39829 | 30350 | 24652 | 20024 | 2400 |
| | 34,13 | 39835 | 34679 | 31227 | 29986 | 27352 | 23959 | 19461 | 2400 |
| | 40,50 | 39835 | 34679 | 31227 | 29986 | 27352 | 23959 | 19461 | 2400 |
| RE 5023 | 61,01 | 68812 | 59906 | 53944 | 49142 | 30641 | 24888 | 20216 | 3100 |
| | 72,03 | 68812 | 59906 | 53944 | 48887 | 30165 | 24502 | 19901 | 3100 |
| | 78,30 | 58590 | 53266 | 51197 | 49142 | 31130 | 25285 | 20538 | 3100 |
| | 90,39 | 66052 | 59906 | 53944 | 47601 | 29371 | 23857 | 19378 | 3100 |
| | 102,06 | 54033 | 47040 | 42358 | 39829 | 30350 | 24652 | 20024 | 3100 |
| | 116,00 | 58590 | 53266 | 51197 | 49142 | 31130 | 25285 | 20538 | 3100 |
| | 120,49 | 54033 | 47040 | 42358 | 39829 | 30350 | 24652 | 20024 | 3100 |
| | 134,85 | 58590 | 53266 | 51197 | 49142 | 31130 | 25285 | 20538 | 3100 |
| | 151,20 | 54033 | 47040 | 42358 | 39829 | 30350 | 24652 | 20024 | 3100 |
| | 175,77 | 54033 | 47040 | 42358 | 39829 | 30350 | 24652 | 20024 | 3100 |
| | 208,61 | 54033 | 47040 | 42358 | 39829 | 30350 | 24652 | 20024 | 3100 |
| | 212,63 | 54033 | 47040 | 42358 | 39829 | 30350 | 24652 | 20024 | 3100 |
| | 252,35 | 54033 | 47040 | 42358 | 39829 | 30350 | 24652 | 20024 | 3100 |
| | 303,75 | 39835 | 34679 | 31227 | 29986 | 27352 | 23959 | 19461 | 3100 |
| RE 5024 | 212,33 | 68812 | 59906 | 51008 | 41431 | 25564 | 20765 | 16866 | 5200 |
| | 250,66 | 68812 | 59906 | 53944 | 46536 | 28714 | 23323 | 18944 | 5200 |
| | 272,48 | 58590 | 53266 | 51197 | 49142 | 30442 | 24726 | 20084 | 5200 |
| | 307,07 | 68812 | 59906 | 53944 | 45877 | 28308 | 22993 | 18676 | 5200 |
| | 333,81 | 58590 | 53266 | 51197 | 48638 | 30011 | 24377 | 19800 | 5200 |
| | 385,35 | 66052 | 59906 | 53944 | 47601 | 29371 | 23857 | 19378 | 5200 |
| | 451,73 | 58590 | 53266 | 51197 | 47088 | 29055 | 23600 | 19169 | 5200 |
| | 494,53 | 58590 | 53266 | 51197 | 49142 | 31130 | 25285 | 20538 | 5200 |
| | 574,89 | 58590 | 53266 | 51197 | 49142 | 31130 | 25285 | 20538 | 5200 |
| | 644,59 | 54033 | 47040 | 42358 | 39829 | 30350 | 24652 | 20024 | 5200 |
| | 725,95 | 54033 | 47040 | 42358 | 39829 | 30350 | 24652 | 20024 | 5200 |
| | 835,20 | 58590 | 53266 | 51197 | 49142 | 31130 | 25285 | 20538 | 5200 |
| | 906,45 | 54033 | 47040 | 42358 | 39829 | 30350 | 24652 | 20024 | 5200 |
| | 970,92 | 58590 | 53266 | 51197 | 49142 | 31130 | 25285 | 20538 | 5200 |
| | 1088,64 | 54033 | 47040 | 42358 | 39829 | 30350 | 24652 | 20024 | 5200 |
| | 1265,54 | 54033 | 47040 | 42358 | 39829 | 30350 | 24652 | 20024 | 5200 |
| | 1455,84 | 54033 | 47040 | 42358 | 39829 | 30350 | 24652 | 20024 | 5200 |
| | 1530,90 | 54033 | 47040 | 42358 | 39829 | 30350 | 24652 | 20024 | 5200 |
| 1816,89 | 54033 | 47040 | 42358 | 39829 | 30350 | 24652 | 20024 | 5200 | |

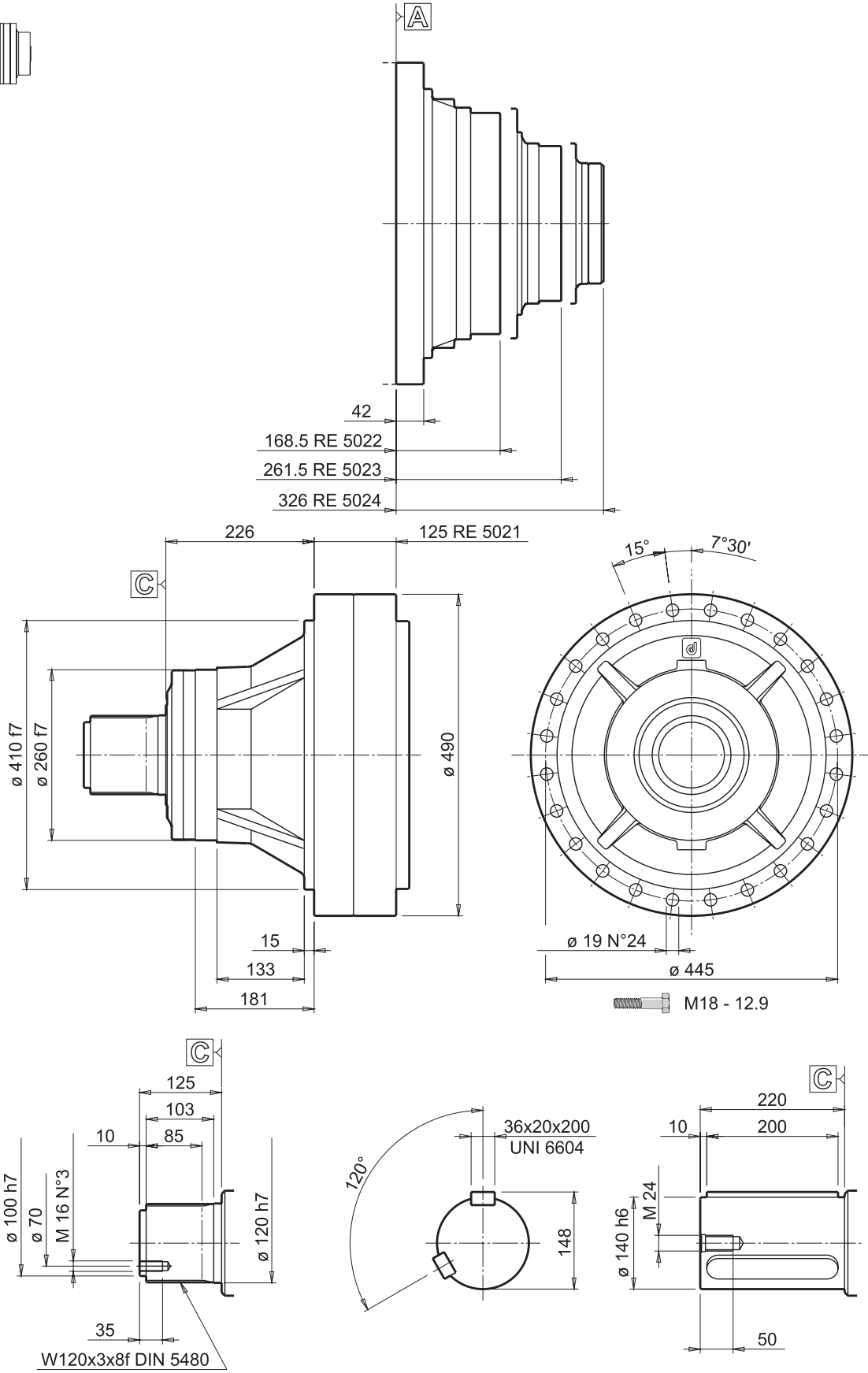
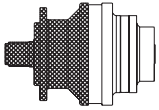
RA 5020

|  | i_e | $T_{cont.} (Nm)$ | | | | | | | $n_1 \text{ max}$ RPM |
|---|---------|------------------|----------------|----------------|----------------|----------------|----------------|----------------|--------------------------|
| | | $n_2 \times h$ | $n_2 \times h$ | $n_2 \times h$ | $n_2 \times h$ | $n_2 \times h$ | $n_2 \times h$ | $n_2 \times h$ | |
| | | 10.000 | 25.000 | 50.000 | 100.000 | 500.000 | 1.000.000 | 2.000.000 | |
| RA 5023 | 43,63 | 68812 | 59906 | 53944 | 49142 | 31130 | 25285 | 20538 | 3500 |
| | 52,05 | 68812 | 59906 | 53944 | 49142 | 31130 | 25285 | 20538 | 3500 |
| | 66,80 | 58590 | 53266 | 51197 | 49142 | 31130 | 25285 | 20538 | 3500 |
| | 79,09 | 57226 | 54041 | 51942 | 49142 | 31130 | 25285 | 20538 | 3500 |
| | 87,08 | 54033 | 47040 | 42358 | 39829 | 30350 | 24652 | 20024 | 3500 |
| | 101,50 | 58590 | 53266 | 51197 | 49142 | 31130 | 25285 | 20538 | 3500 |
| | 120,46 | 45165 | 41871 | 40245 | 38682 | 30828 | 25040 | 20339 | 3500 |
| | 132,30 | 54033 | 47040 | 42358 | 39829 | 30350 | 24652 | 20024 | 3500 |
| 157,02 | 54033 | 47040 | 42358 | 39829 | 30350 | 24652 | 20024 | 3500 | |
| RA 5024 | 244,05 | 66314 | 50376 | 40918 | 33236 | 20508 | 16657 | 13530 | 3500 |
| | 288,12 | 68812 | 56583 | 45959 | 37331 | 23034 | 18710 | 15197 | 3500 |
| | 313,20 | 58590 | 53266 | 48725 | 39577 | 24420 | 19835 | 16111 | 3500 |
| | 361,56 | 66052 | 59906 | 53877 | 43761 | 27002 | 21933 | 17815 | 3500 |
| | 408,24 | 54033 | 47040 | 42358 | 39829 | 29398 | 23879 | 19395 | 3500 |
| | 464,00 | 58590 | 53266 | 51197 | 49142 | 31130 | 25285 | 20538 | 3500 |
| | 539,40 | 58590 | 53266 | 51197 | 49142 | 31130 | 25285 | 20538 | 3500 |
| | 571,98 | 54033 | 47040 | 42358 | 39829 | 30350 | 24652 | 20024 | 3500 |
| | 604,80 | 54033 | 47040 | 42358 | 39829 | 30350 | 24652 | 20024 | 3500 |
| | 717,78 | 54033 | 47040 | 42358 | 39829 | 30350 | 24652 | 20024 | 3500 |
| | 834,42 | 54033 | 47040 | 42358 | 39829 | 30350 | 24652 | 20024 | 3500 |
| | 1009,39 | 54033 | 47040 | 42358 | 39829 | 30350 | 24652 | 20024 | 3500 |
| 1215,00 | 39835 | 34679 | 31227 | 29986 | 27352 | 23959 | 19461 | 3500 | |

| | $P_t (kW)$ | | | | $P_t (kW)$ | | |
|----------------|------------|------|------|----------------|------------|------|------|
| | H | T | F | | H | T | F |
| RE 5021 | 77,7 | 66,6 | 58,5 | RA 5023 | 29,8 | 26,9 | 24,8 |
| RE 5022 | 45 | 39,4 | 35,3 | RA 5024 | 25,6 | 22,8 | 20,7 |
| RE 5023 | 31,7 | 27,8 | 25,1 | | | | |
| RE 5024 | 24,7 | 21,8 | 19,7 | | | | |

$T_{imp.} = 109000 \text{ Nm}$

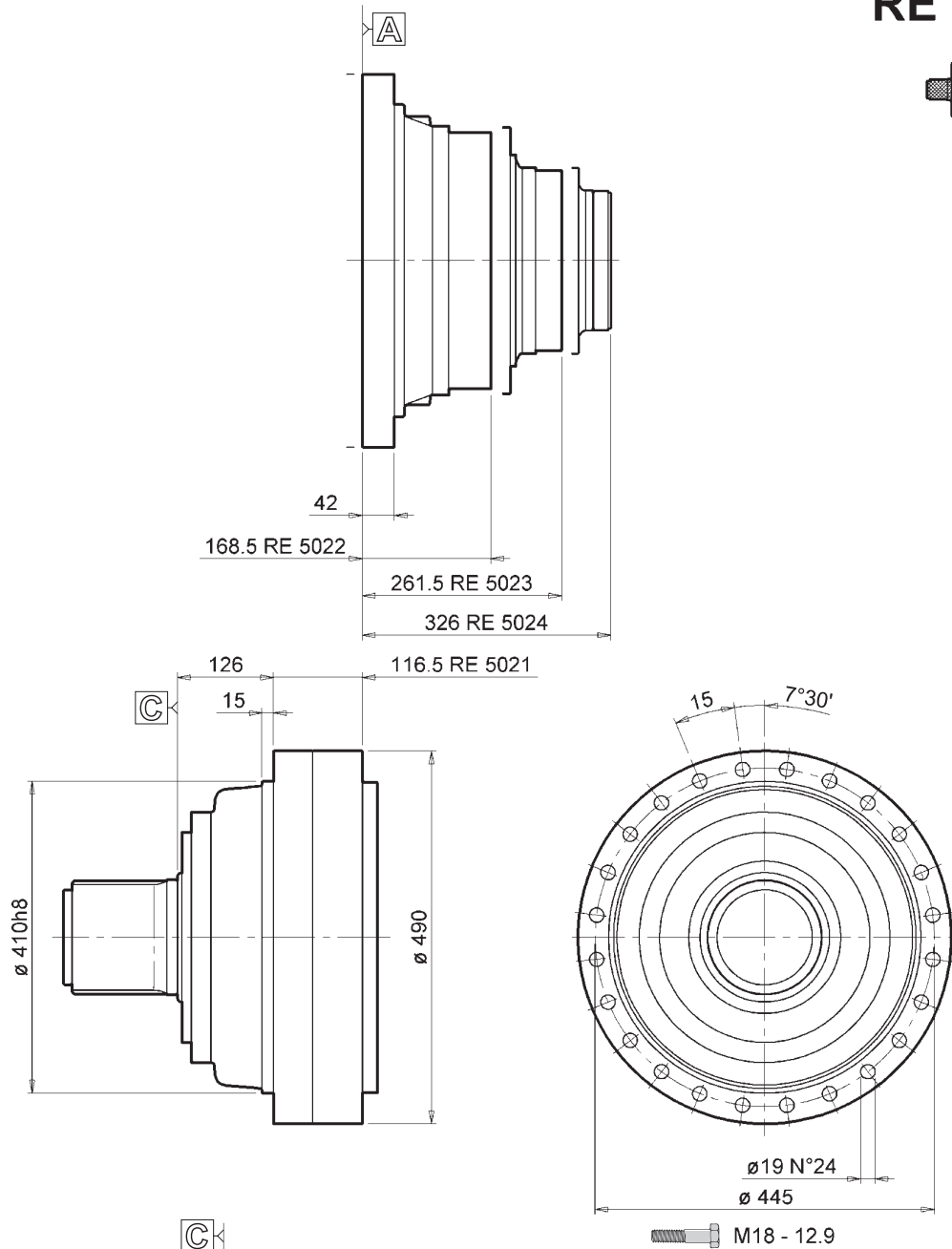
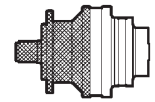
RE 5020



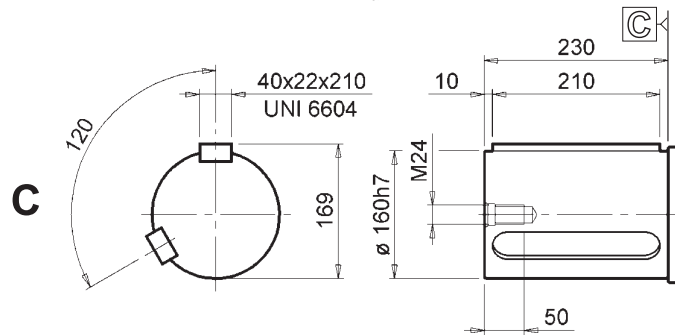
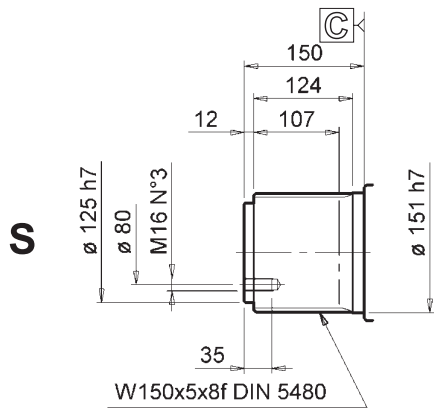
H

C

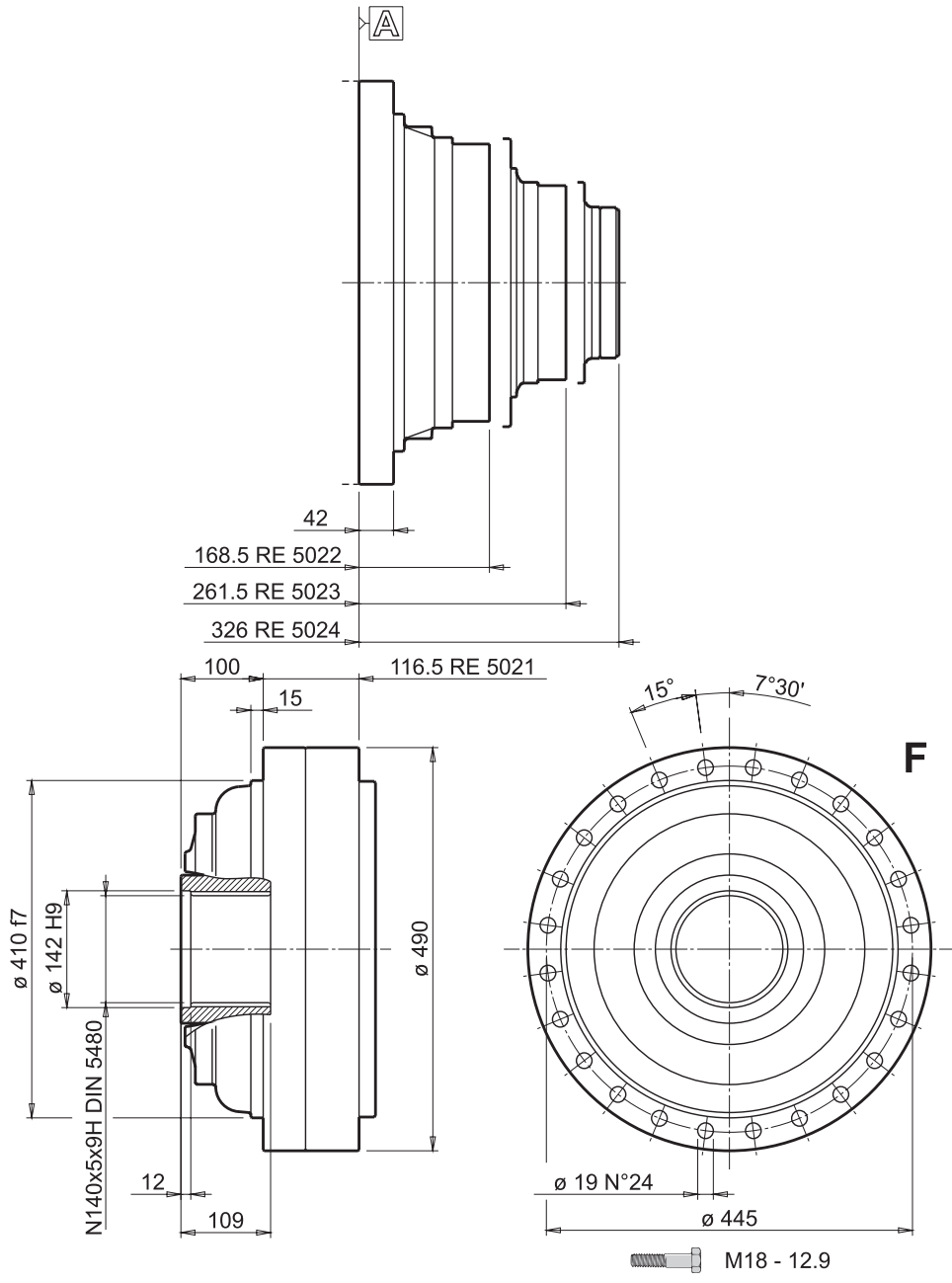
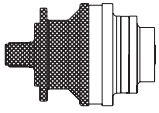
RE 5020



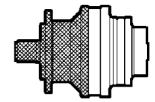
H6



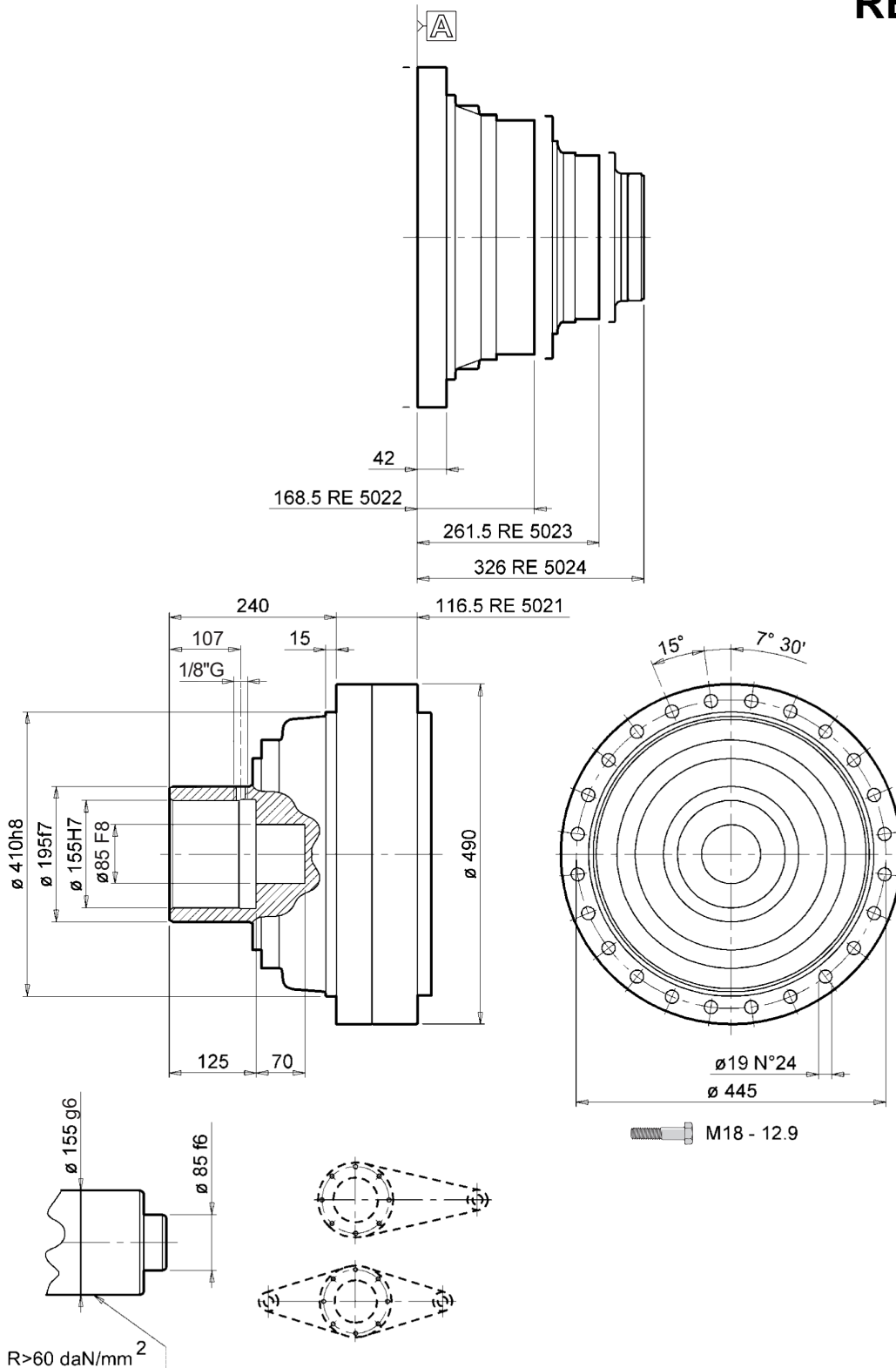
RE 5020



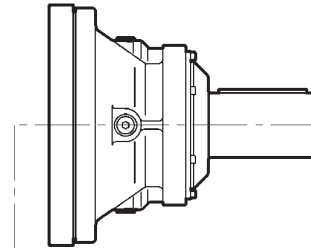
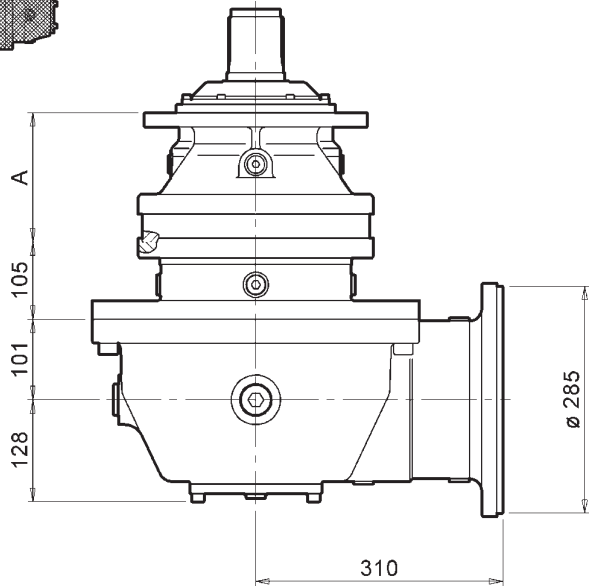
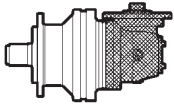
RE 5020



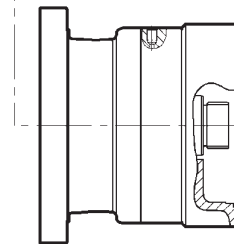
Q



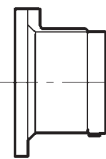
RA 5023



AV810



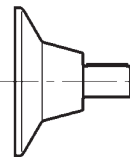
F8



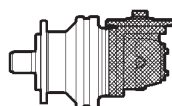
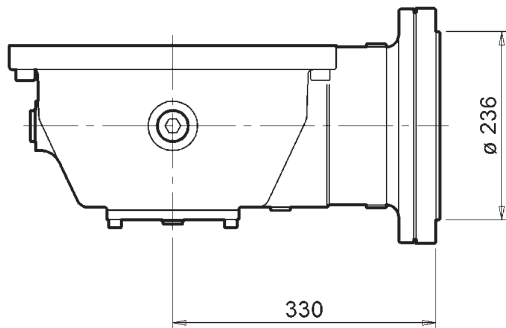
F2



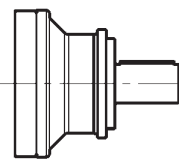
F6



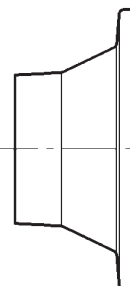
AV



| RA 5023 | A | |
|---------|-------|----------|
| | H | H6-H6Q-F |
| | 293.5 | 285 |



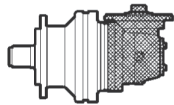
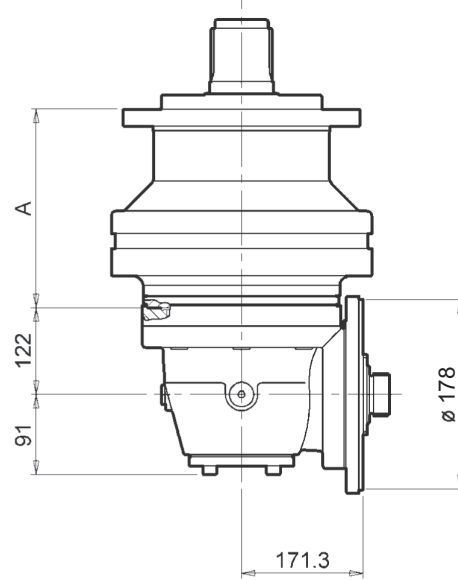
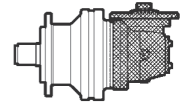
AV510



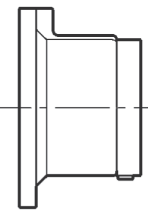
ME

| | | | | | | | | | | |
|-----------|--------------|-----------|-----------|-----|-----|-----|-----|-----|-----|--|
| | | | | | | | | | | |
| ST 210 | MO-MR 214 | ME 215 | AV 216 | 225 | 231 | 238 | 242 | 247 | 249 | |

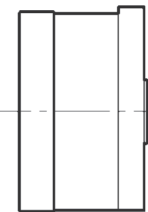
RA 5024



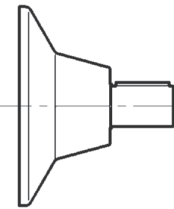
| | A | |
|---------|-------|----------|
| | H | H6-HQ6-F |
| RA 5024 | 386.5 | 378 |



F1



F5



AV

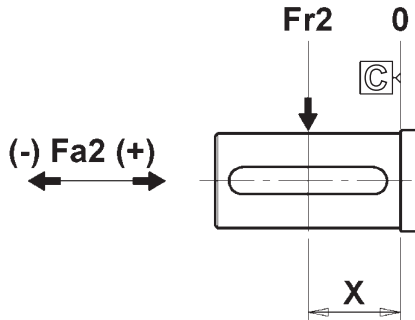
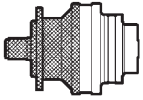


MO

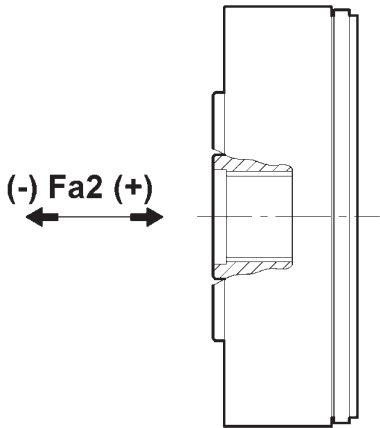


ME

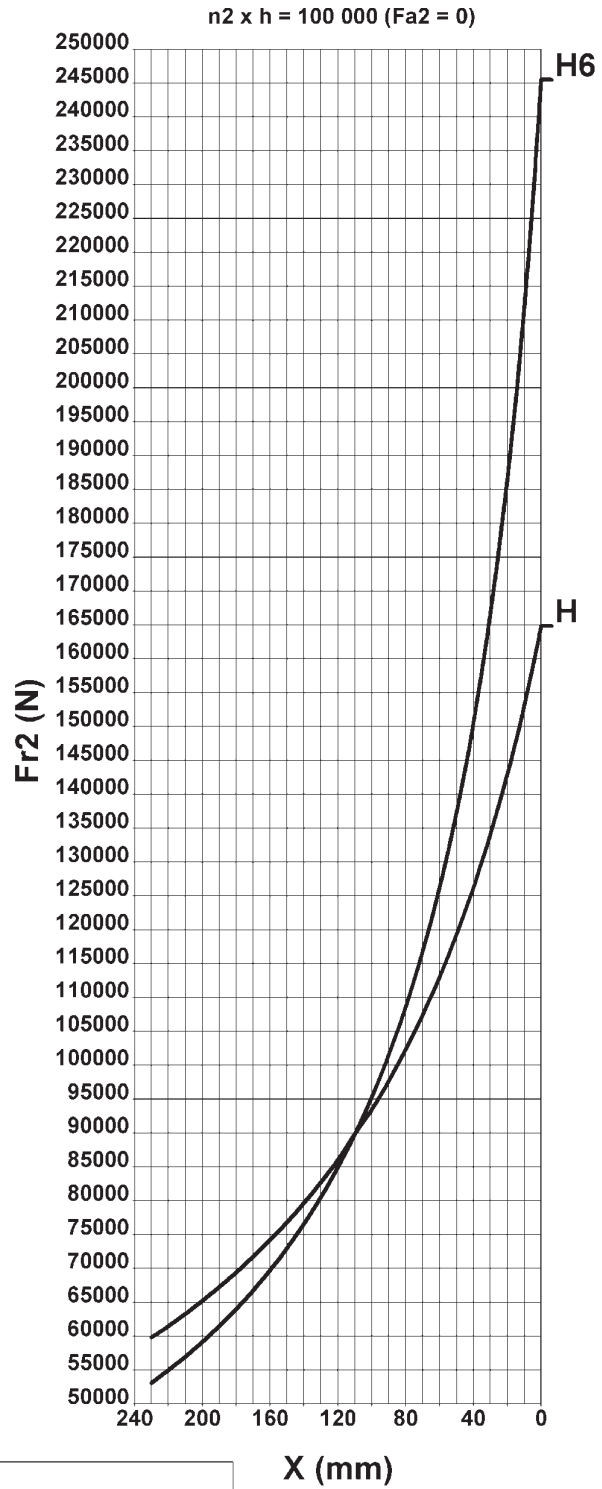
RE 5020



| n2 x h = 100 000 Fa2 max (Fr2 = 0) | | |
|---------------------------------------|---------|---------|
| | Fa2 (+) | Fa2 (-) |
| H | 148 250 | 131 000 |
| H6 | 64 500 | 125 000 |



| n2 x h = 100 000 Fa2 max (Fr2 = 0) | | |
|---------------------------------------|---------|---------|
| | Fa2 (+) | Fa2 (-) |
| FS | 54 000 | 73 000 |



| | n2 x h | | | | | | |
|----|--------|--------|--------|--------|---------|---------|---------|
| | 20 000 | 40 000 | 60 000 | 80 000 | 100 000 | 200 000 | 400 000 |
| Kf | 1.7 | 1.3 | 1.15 | 1.06 | 1 | 0.8 | 0.63 |