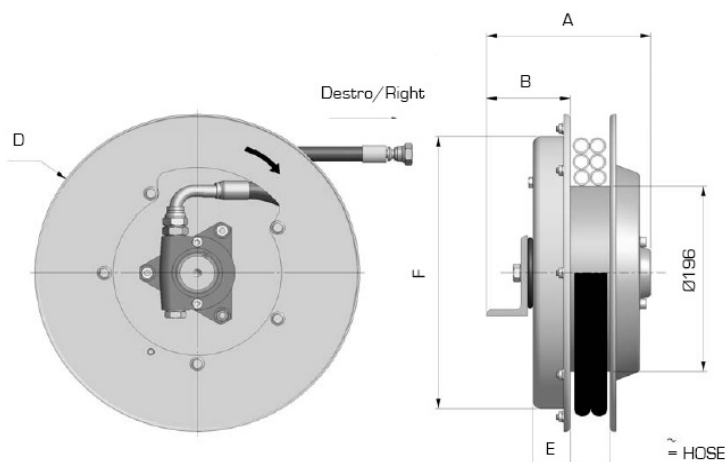
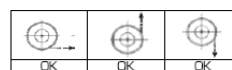
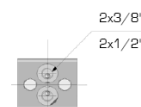


Série AG Standard
Enrouleur Hydraulique 2 tuyaux

 MAX
40 l/min

 Vv. P. 300 bar
Option 400 bar

 DESTRO
RIGHT

 AGD 400 = MODELLO DESTRO / RIGHT MODEL
 AGS 400 = MODELLO SINISTRO / LEFT MODEL
 Es. ORD: AGD 400.10.R7

Référence	A	B	D	E	F	Sans Flexibles	Avec Flexibles R7-R8-B1-B2							
							Prix Public en € Ht	Ø	Longueur		R7	R8	B1	B2
									Totale	Utile	XX=R7	XX=R8	XX=B1	XX=B2
									en m					
AGD520.06.XX	171	92	520	47	322	NC	1/4"	14,5	14,0	NC	NC	NC		
AGD520.08.XX						5/16"	12,5	12,0	NC	NC	NC	NC		
AGD520.10.XX						3/8"	11,2	10,7	NC	NC	NC	NC		
AGD520.12.XX						1/2"	9,0	8,5		NC	NC	NC		
AGD570.06.XX	171	92	570	47	422	NC	1/4"	17,5	17,0	NC	NC	NC		
AGD570.08.XX						5/16"	15,5	15,0	NC	NC	NC	NC		
AGD570.10.XX						3/8"	13,5	13,0	NC	NC	NC	NC		
AGD570.12.XX						1/2"	10,7	10,2		NC	NC	NC		
AGD600.06.XX	171	92	620	47	422	NC	1/4"	21,0	20,5	NC	NC	NC		
AGD600.08.XX						5/16"	17,0	16,5	NC	NC	NC	NC		
AGD600.10.XX						3/8"	16,0	15,5	NC	NC	NC	NC		
AGD600.12.XX						1/2"	12,5	12,0		NC	NC	NC		
AGD650.06.XX	181	102	650	57	422	NC	1/4"	22,5	22,0	NC	NC	NC		
AGD650.08.XX						5/16"	19,5	19,0	NC	NC	NC	NC		
AGD650.10.XX						3/8"	17,5	17,0	NC	NC	NC	NC		
AGD650.12.XX						1/2"	14,5	14,0		NC	NC	NC		
AGD700.06.XX	181	102	720	57	532	NC	1/4"	27,0	26,5	NC	NC	NC		
AGD700.08.XX						5/16"	22,0	21,5	NC	NC	NC	NC		
AGD700.10.XX						3/8"	20,0	19,5	NC	NC	NC	NC		
AGD700.12.XX						1/2"	16,0	15,5		NC	NC	NC		
AGD800.08.XX	191	112	820	67	532	NC	5/16"	30,0	29,0	NC	NC	NC	NC	
AGD800.10.XX						3/8"	26,0	25,0	NC	NC	NC	NC		
AGD800.12.XX						1/2"	21,0	20,0		NC	NC	NC		
AGD900.08.XX	201	122	920	67	532	NC	5/16"	38,0	37,0	NC	NC	NC	NC	
AGD900.10.XX						3/8"	34,0	33,0	NC	NC	NC	NC		
AGD900.12.XX						1/2"	28,0	27,0		NC	NC	NC		
AGD1000.10.XX	226	122	1000	67	687	NC	3/8"	36,0	35,0	NC	NC	NC	NC	
AGD1000.12.XX						1/2"	35,0	34,0		NC	NC	NC		